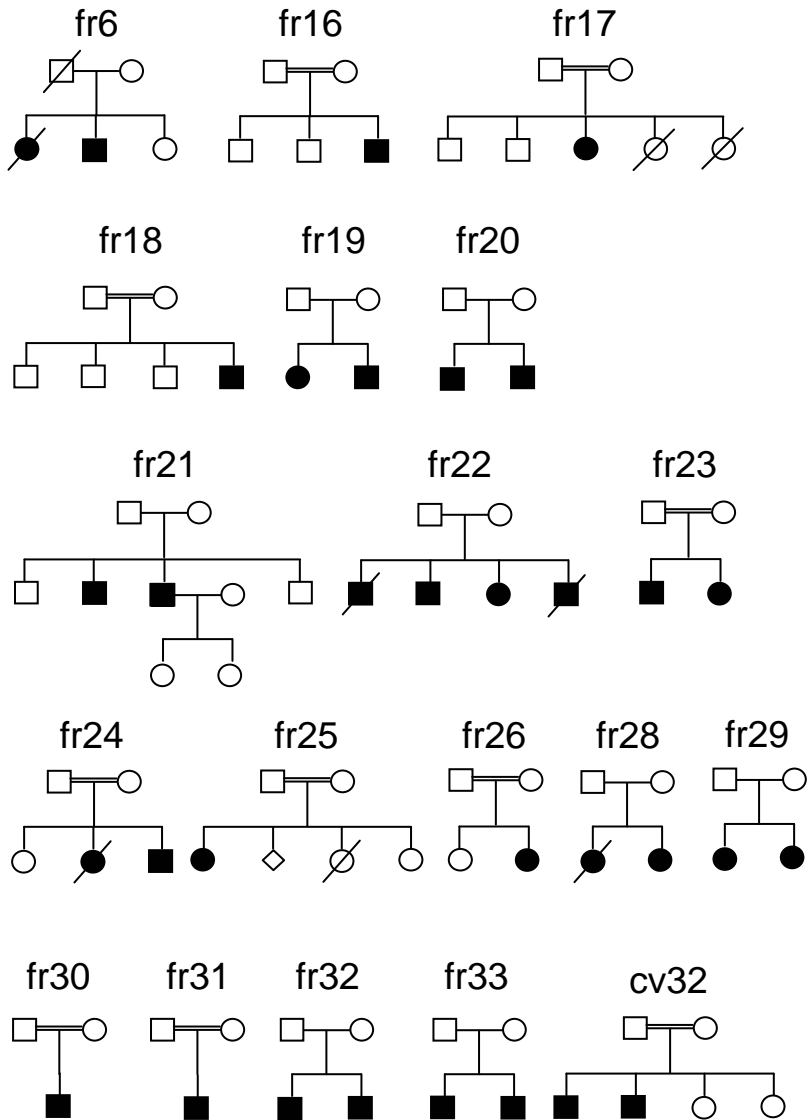


## Autosomal recessive CVID families



## „linked“ CVID families

