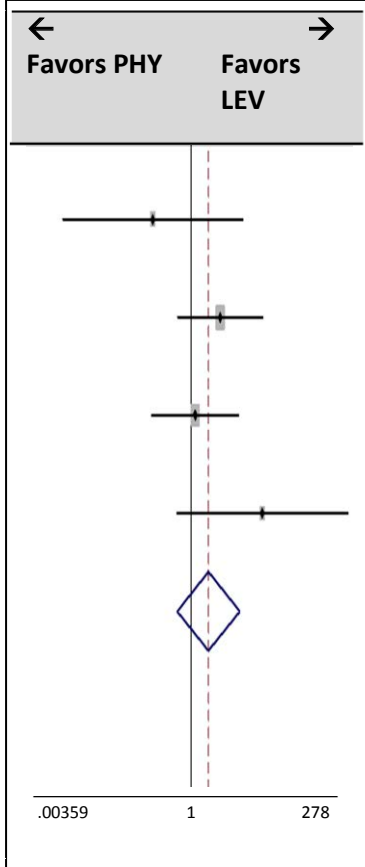


Study	Early Seizure Incidence		Odds Ratio (95 CI%)
	PHY	LEV	
Jones 2008	0/41	1/32	0.253 (0.010 - 6.421)
Milligan 2008	11/210	2/105	2.847 (0.619 - 13.085)
Szaflarski 2010	3/18	5/34	1.160 (0.243 - 5.527)
Taylor 2010	2/25	0/60	12.872 (0.595 - 278.270)
POOLED	16/294	8/231	1.864 (0.605 - 5.748)

(I-squared = 17.4 % p = 0.304)



Study	Early Seizure Incidence		Odds Ratio (95 CI%)
	PHY	LEV	
Jones 2008	0/41	1/32	0.253 (0.010 - 6.421)
Milligan 2008	11/210	2/105	2.847 (0.619 – 13.085)
Szaflarski 2010	3/18	5/34	1.160 (0.243 - 5.527)
Taylor 2010	2/25	0/60	12.872 (0.595 - 278.270)
POOLED	16/294	8/231	1.864 (0.605 – 5.748)

(I-squared = 17.4 % p = 0.304)

