

Study**Late Seizure
Incidence
PHY****LEV****Odds Ratio
(95 CI%)**

Lim 2009

2/15

2/8

0.462 (0.052 – 4.106)

Szaflarski 2010

3/14

3/20

1.545 (0.263 – 9.082)

POOLED

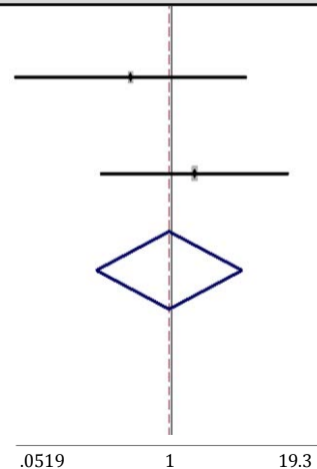
5/29

5/28

0.957 (0.242 – 3.790)

(I- squared = 0.0 % p = 0.400)

Random effects model

**Favors
PHY****Favors
LEV**

.0519

1

19.3

Study**Late Seizure
Incidence
PHY****LEV****Odds Ratio
(95 CI%)**

Lim 2009

2/15

2/8

0.462 (0.052 – 4.106)

Szaflarski 2010

3/14

3/20

1.545 (0.263 – 9.082)

POOLED

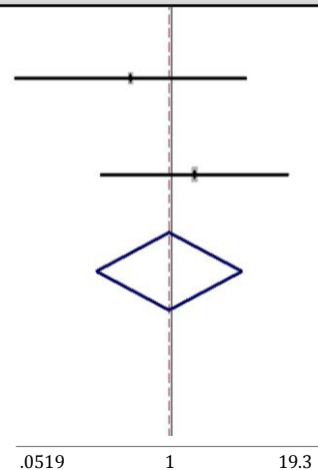
5/29

5/28

0.957 (0.242 – 3.790)

(I- squared = 0.0 % p = 0.400)

Random effects model

**Favors
PHY****Favors
LEV**

.0519

1

19.3