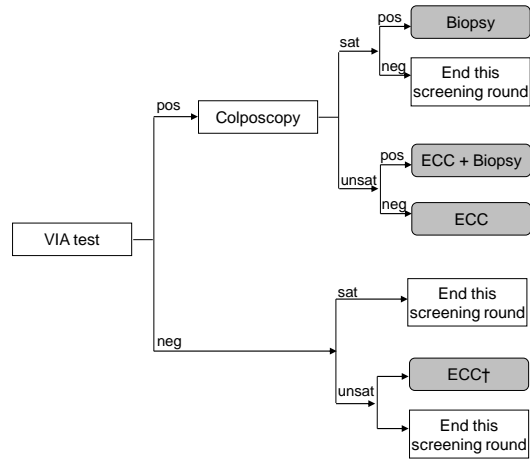
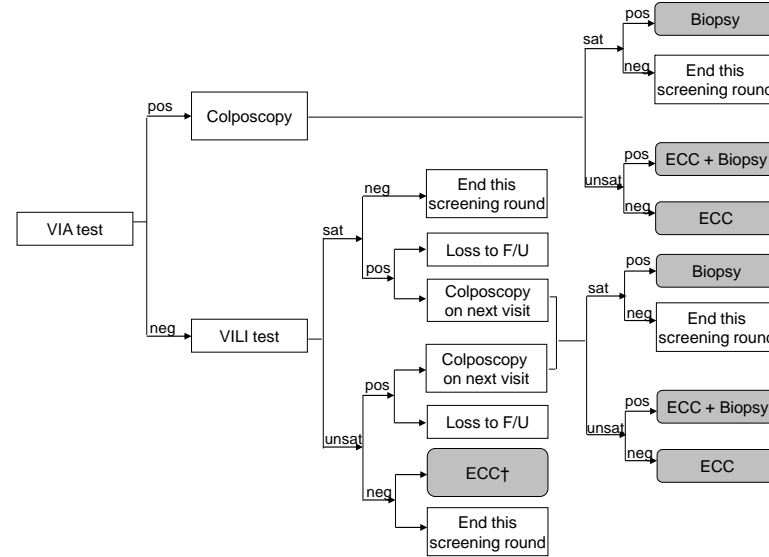


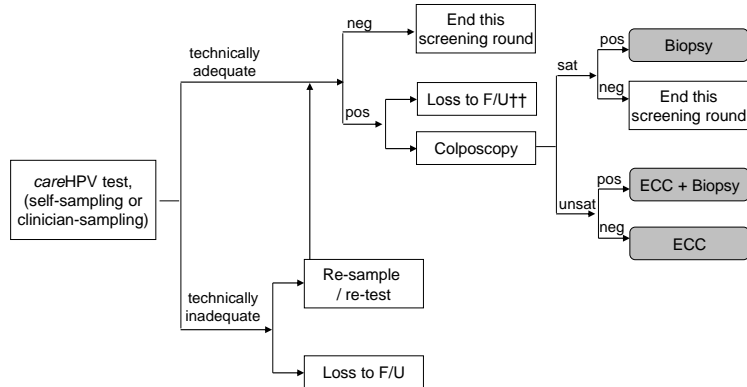
**A. VIA only strategies**



**B. VIA/VILI strategies**



**C. careHPV strategies**



**D. ECC/biopsy and treatment procedures**

