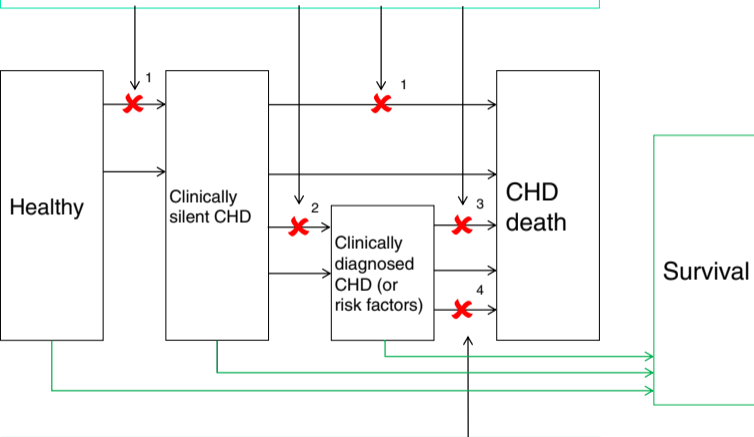


Favourable shifts in risk factors



More effective treatment