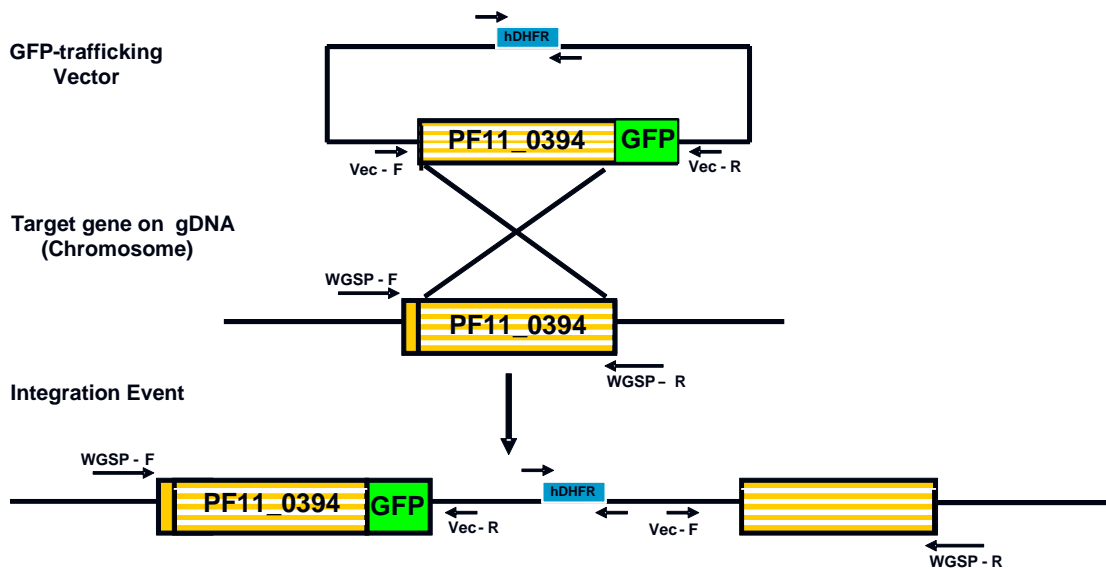
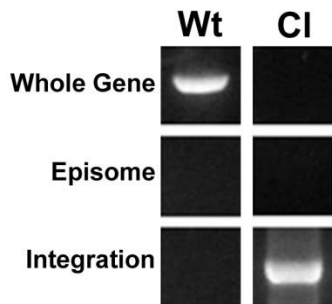


# A. GFP-trafficking Schematic



## B. PCR Analysis



## C. Southern blot

