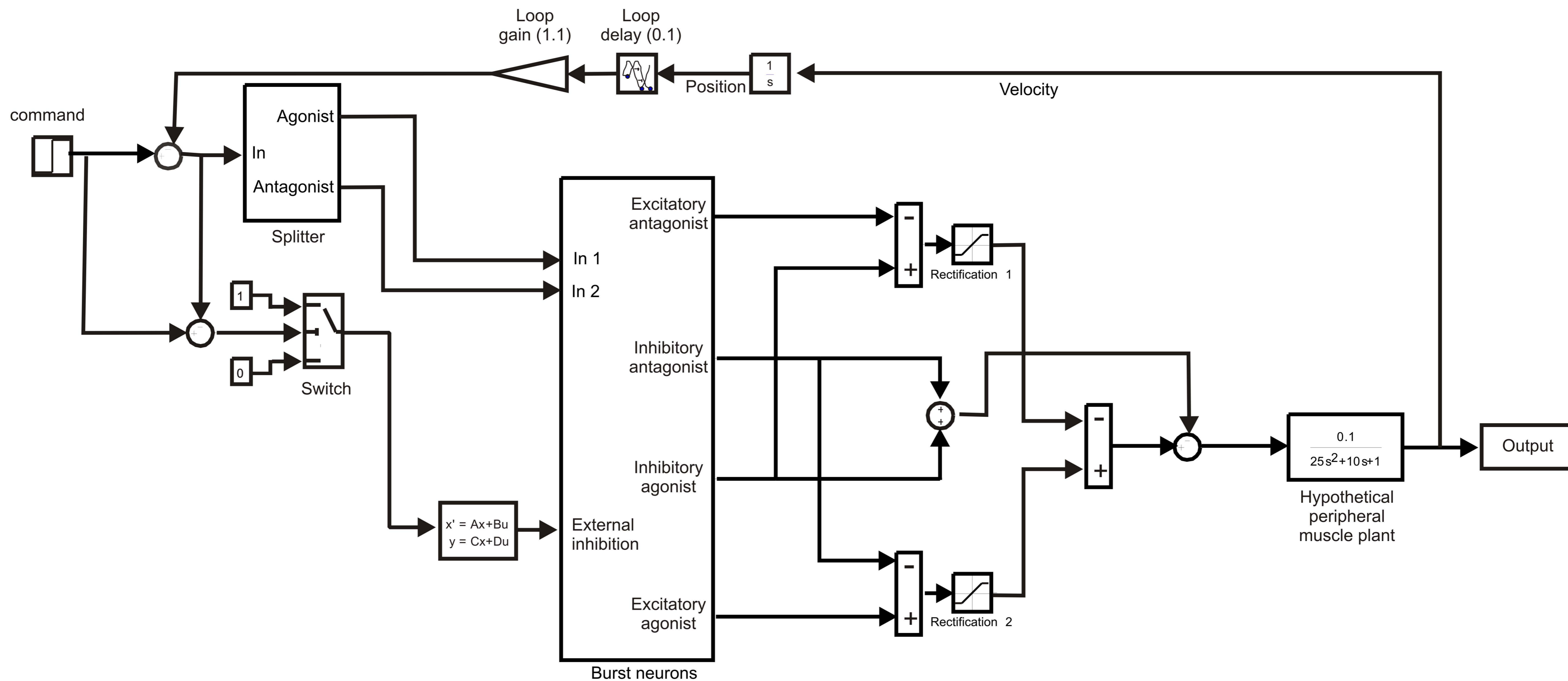
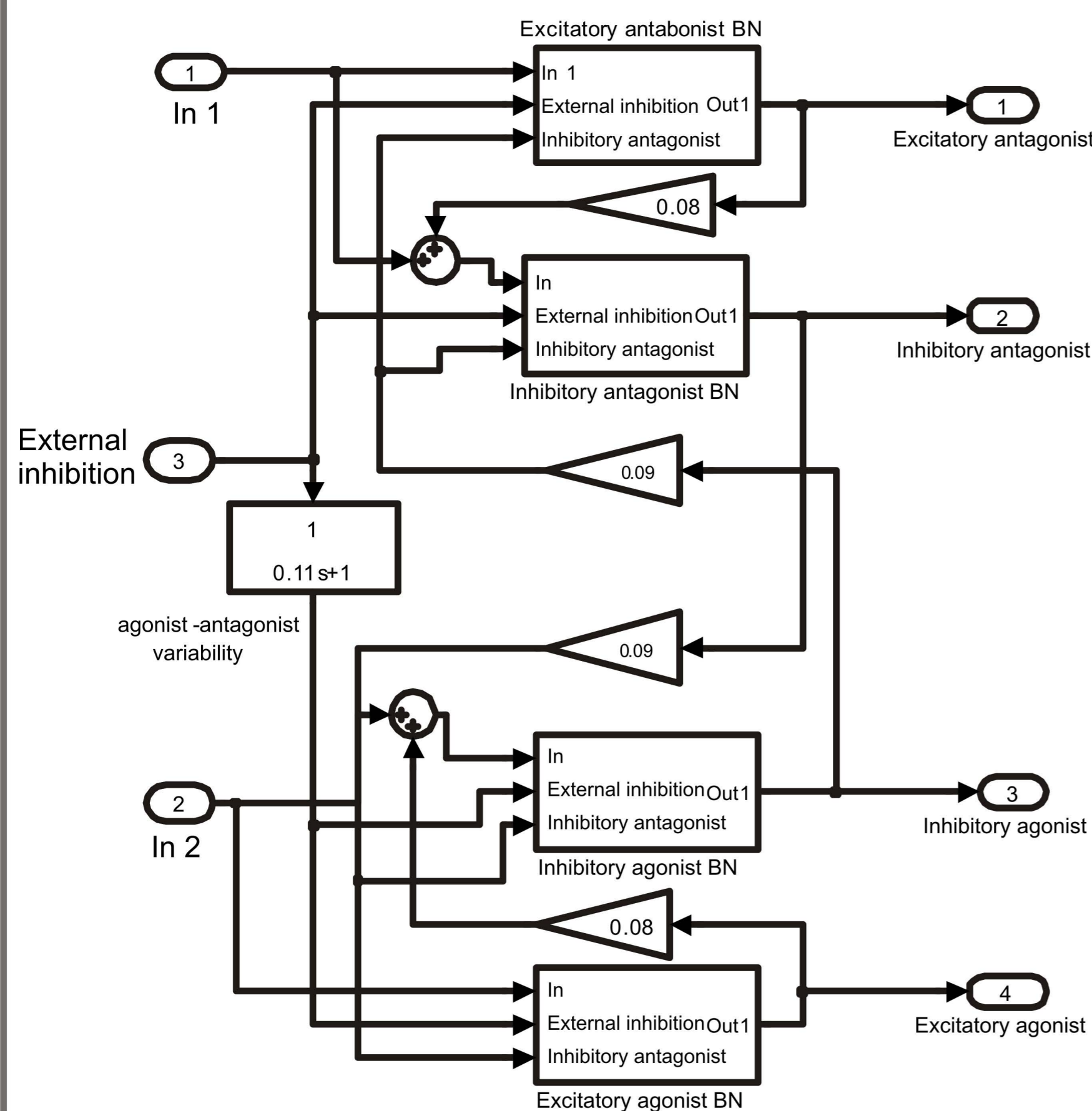


Membrane based model for essential tremor



Model burst neurons and their connectivity



Burst neuron membrane

