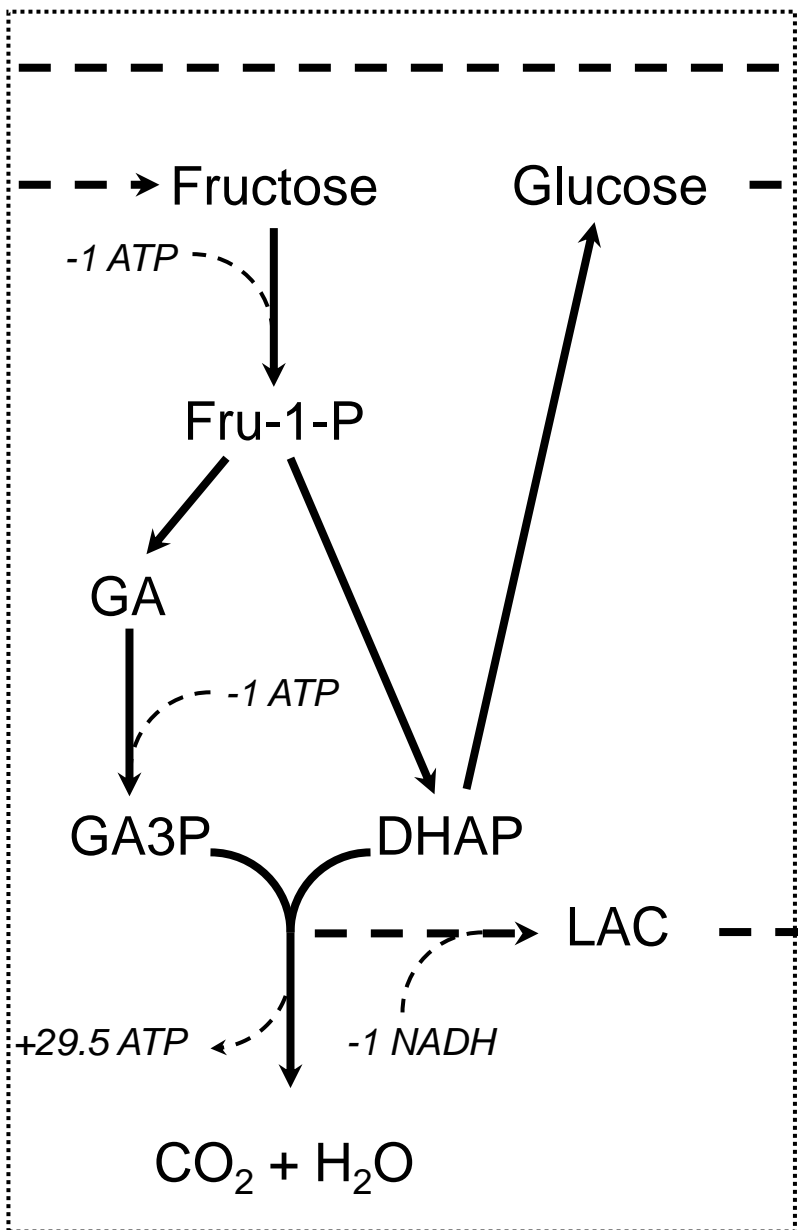
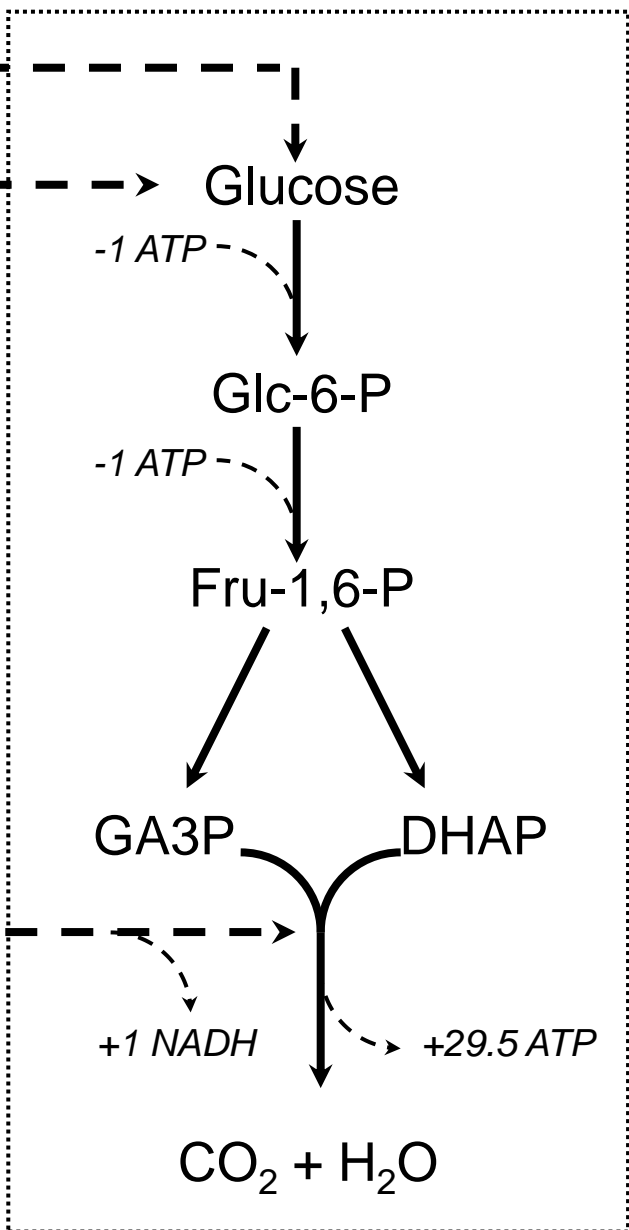


Glucose
Fructose



Hepatocyte



Extra-hepatic cells

*Portal
blood*