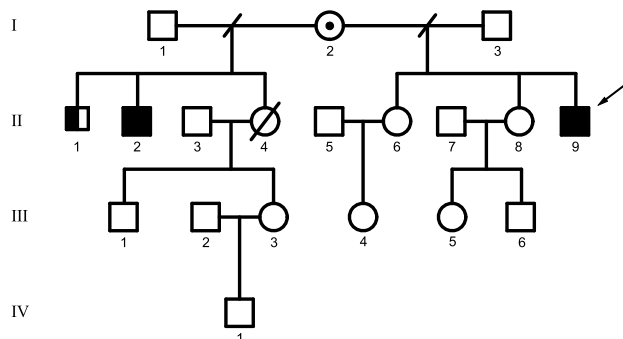
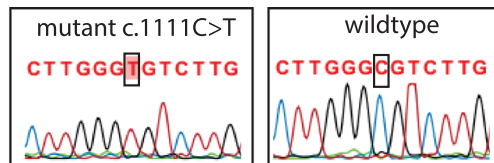


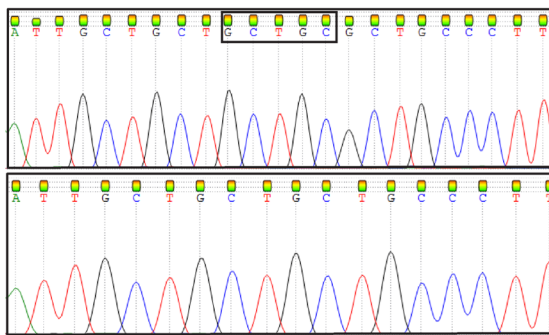
a**b****c**

Human	AT	SGL	GR	LV	SG	HI
Rhesus Monkey	AT	SGL	GR	LV	SG	HI
Mouse	AT	SGL	GR	LV	SG	HI
Chicken	GM	SGL	GR	LI	SG	RT
Zebrafish	AS	GV	GR	LL	FG	KI

e

mutant c.990_991insGCTGC

wildtype

**d**