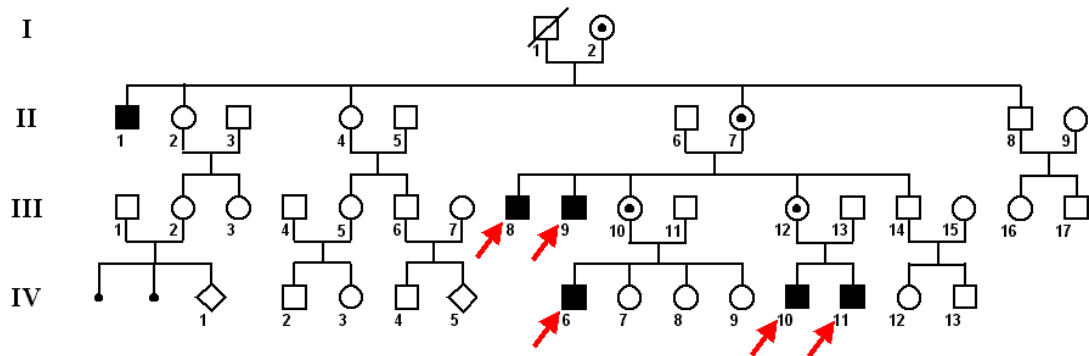
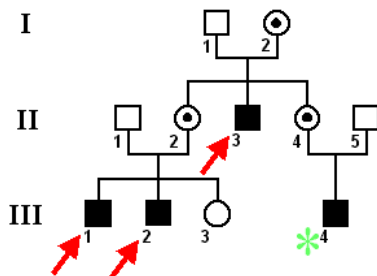


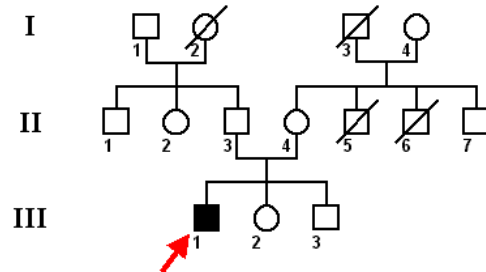
Supplementary Figure 1. Twelve out of 13 French 428_451dup (24pb) Families diagnosed between 2002 and 2006, included in the study. Red arrow: patients who participated to the clinical study. Green asterisk: patients who were included in the clinical study but did not participate to the videotaped praxis study.



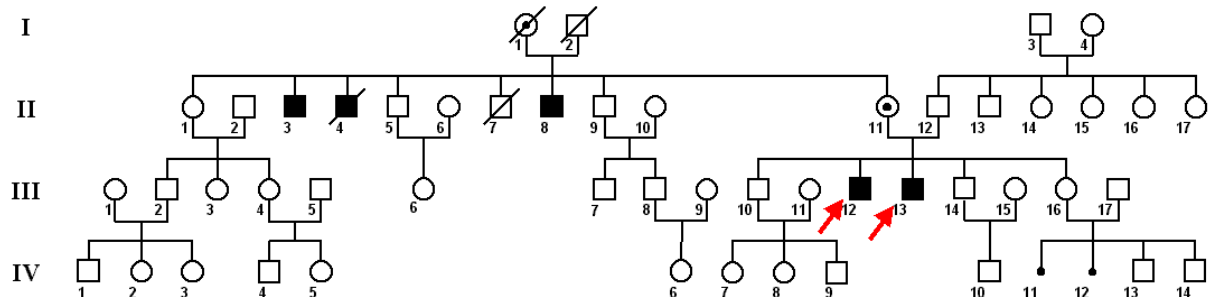
Family I. Five of 6 patients available; published as “P73, non specific MR” in Bienvenu et al., 2002



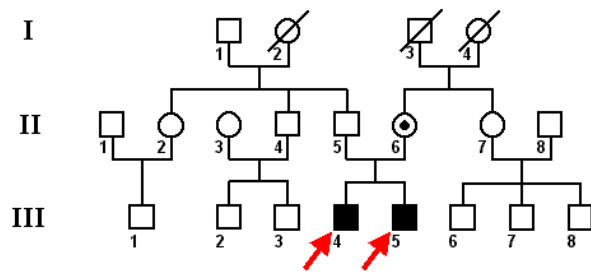
Family II. Four patients available, one too young for videotape study. (published as P49, “MR with mild hand dystonia” in Bienvenu et al., 2002)



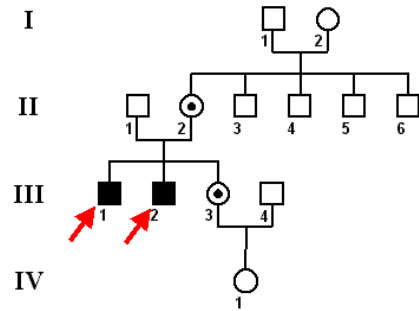
Family III. One sporadic case with speech apraxia and Partington syndrome (unpublished)



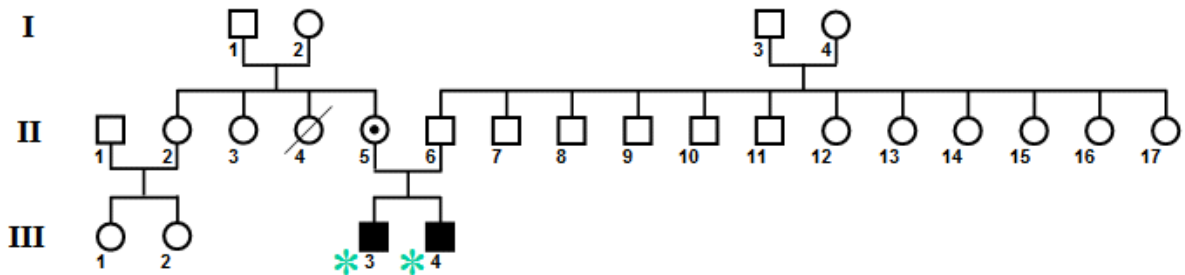
Family IV. Two of 4 alive patients available, the other two were too old (published as P104, “non specific MR” in Poirier et al., 2006)



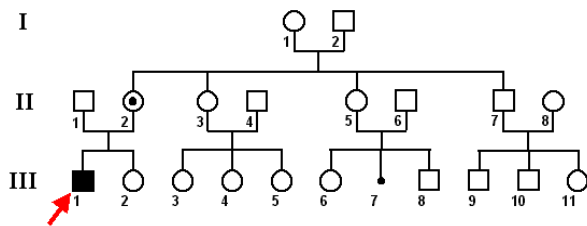
Family V. A brother pair, one too severe for videotape study, unpublished.



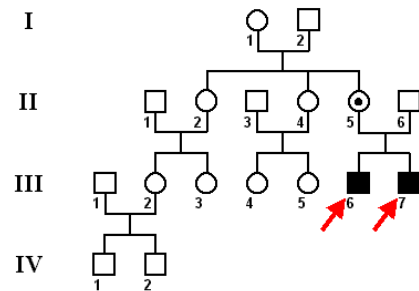
Family VI. Published as P106, “non specific MR”, in Poirier et al., 2006.



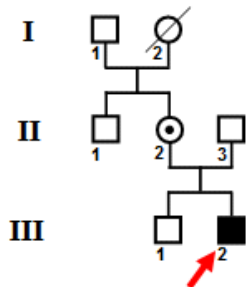
Family VII. Two boys available, both too young for videotape study; unpublished.



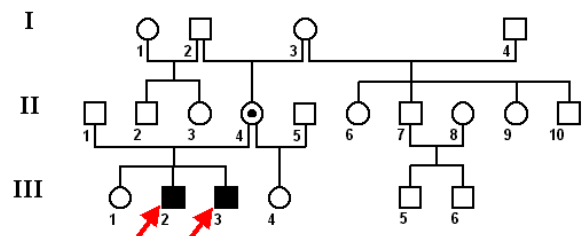
Family VIII. Sporadic case, mild hand dyspraxia; unpublished.



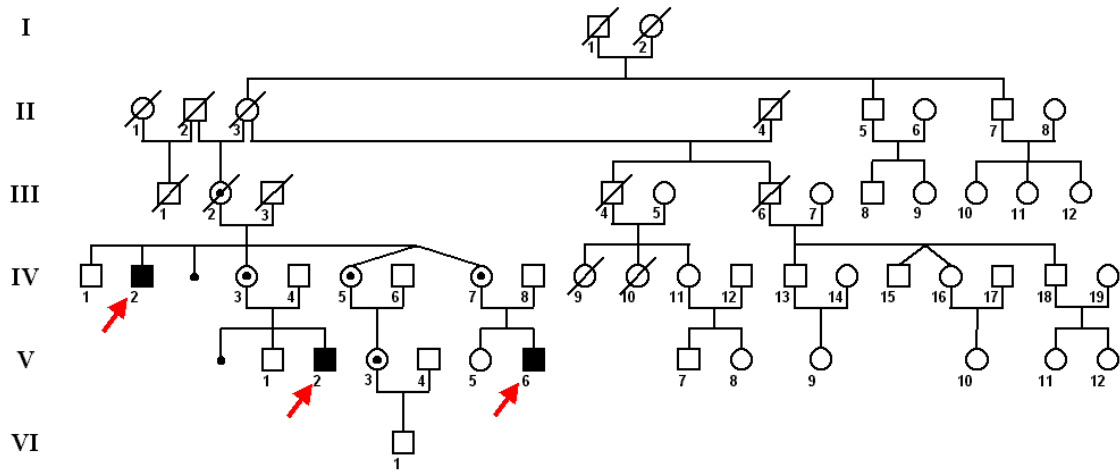
Family IX. Partington, P34 in Poirier et al., 2006)



Family X. One sporadic case too severe for videotape study, in Cossee et al, 2010.



Family XI. Two available patients, unpublished



Family XII. Three patients available, one too severely affected did not participate to the videotape study; published as T37 « Non specific MR » in Poirier et al., 2006.