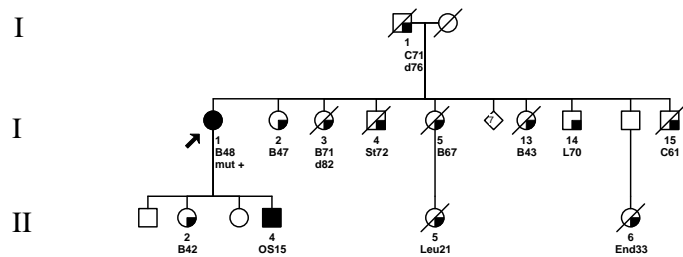
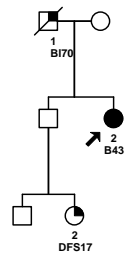


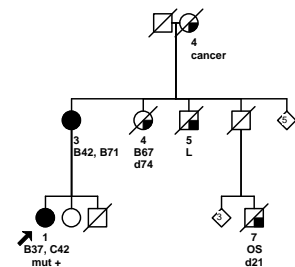
A. LFS family, c.1100delC



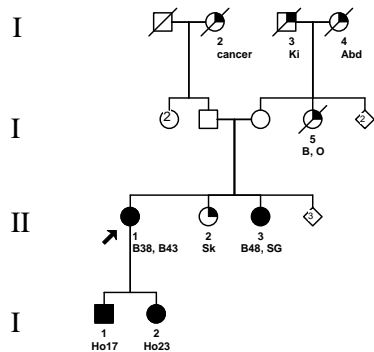
B. LFL family, c.1100delC



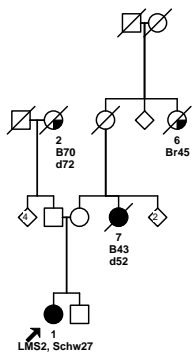
C. LFS-suggestive family, c.1100delC



D. LFS-suggestive family, c.1100delC



E. LFL family, p.Phe328Ser



F. LFL family, c.1096-?_1629+?del

