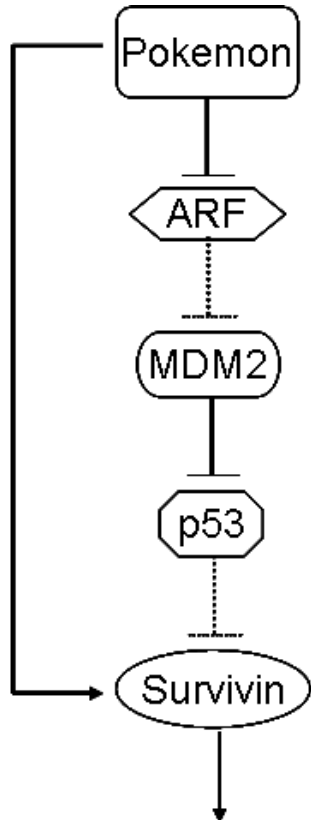


Direct binding with  
Survivin promoter



Anti-apoptosis and cell survival