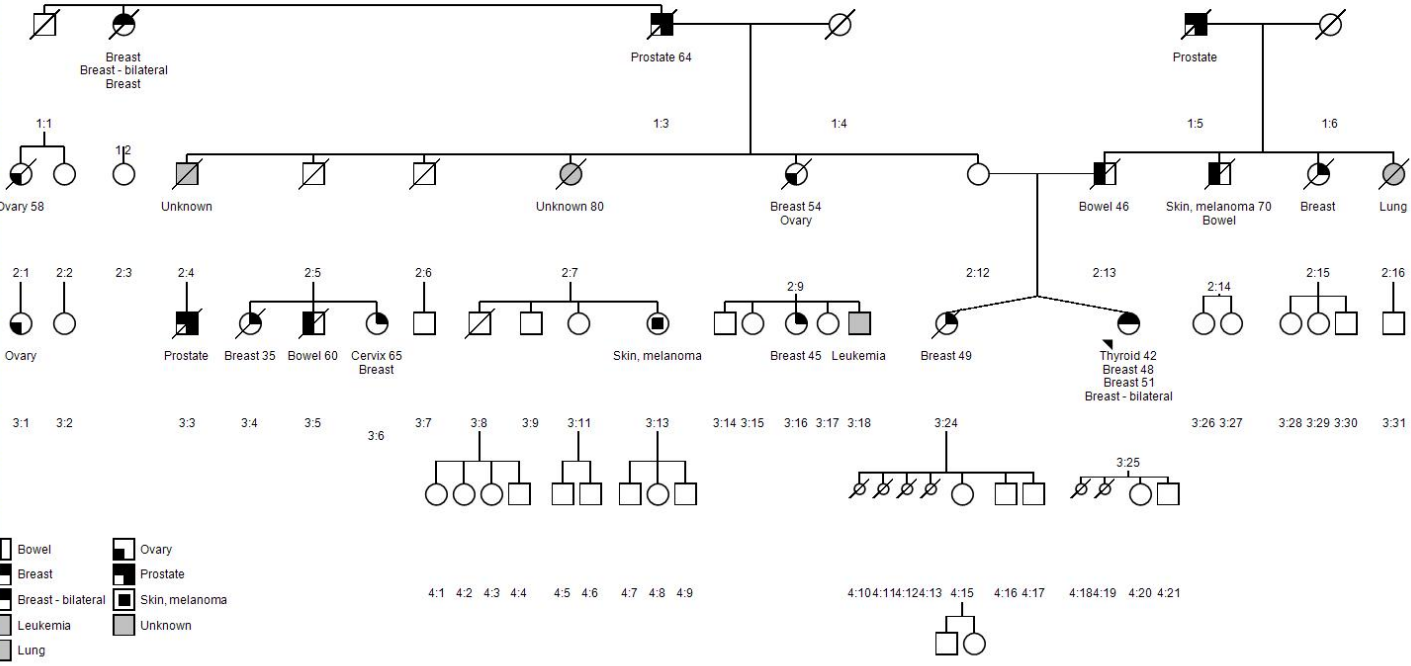
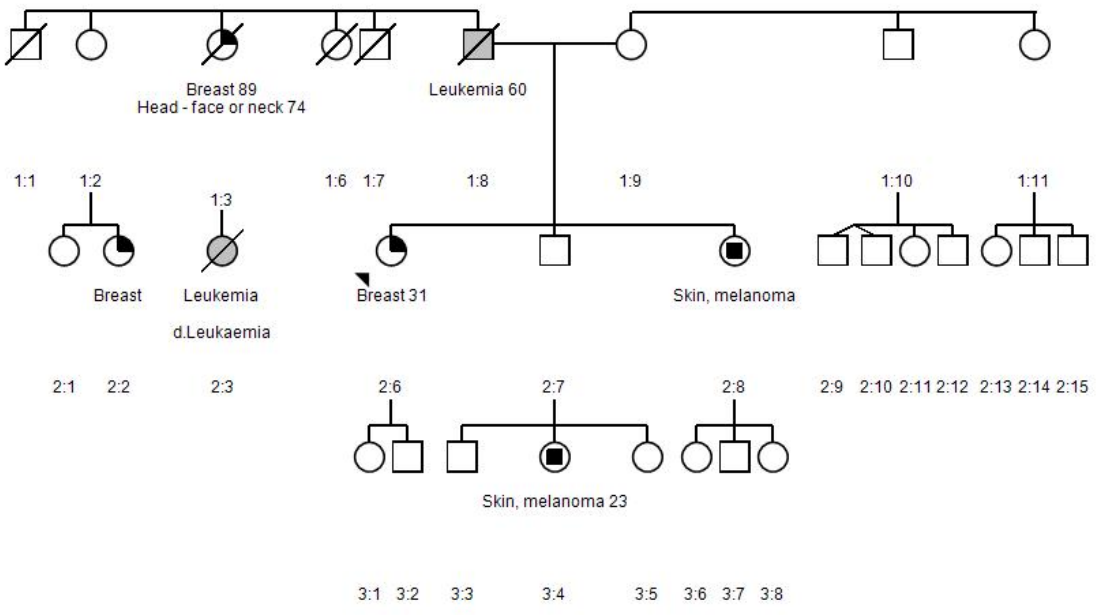


FCC-60-00 p.Trp1038\*



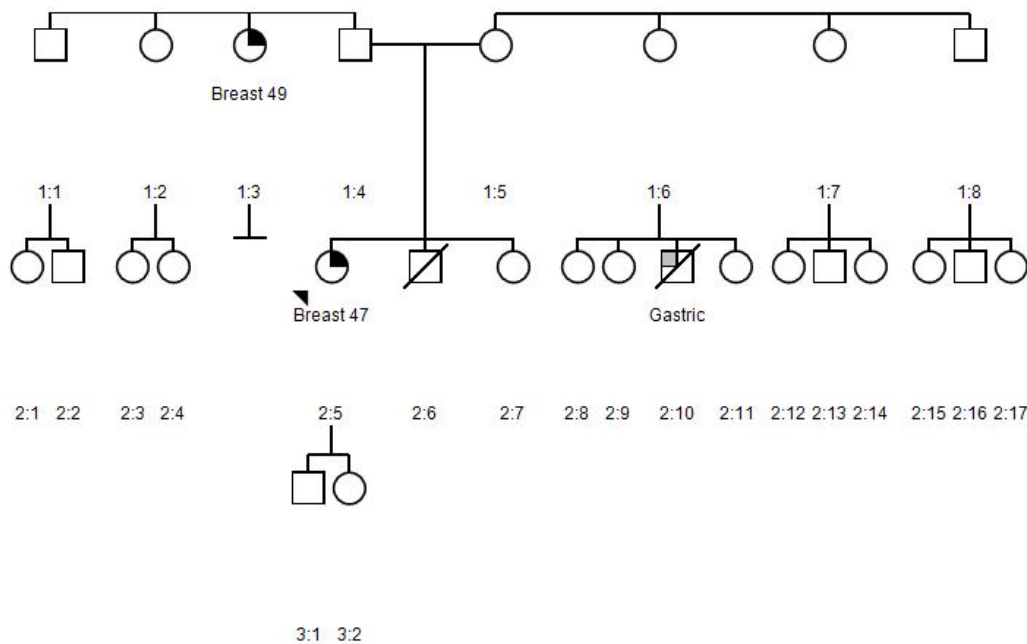
FCC-317-000 p.Gly1121Valfs\*3

Legend: Black square: Breast, Grey square: Leukemia, Black circle: Skin, melanoma



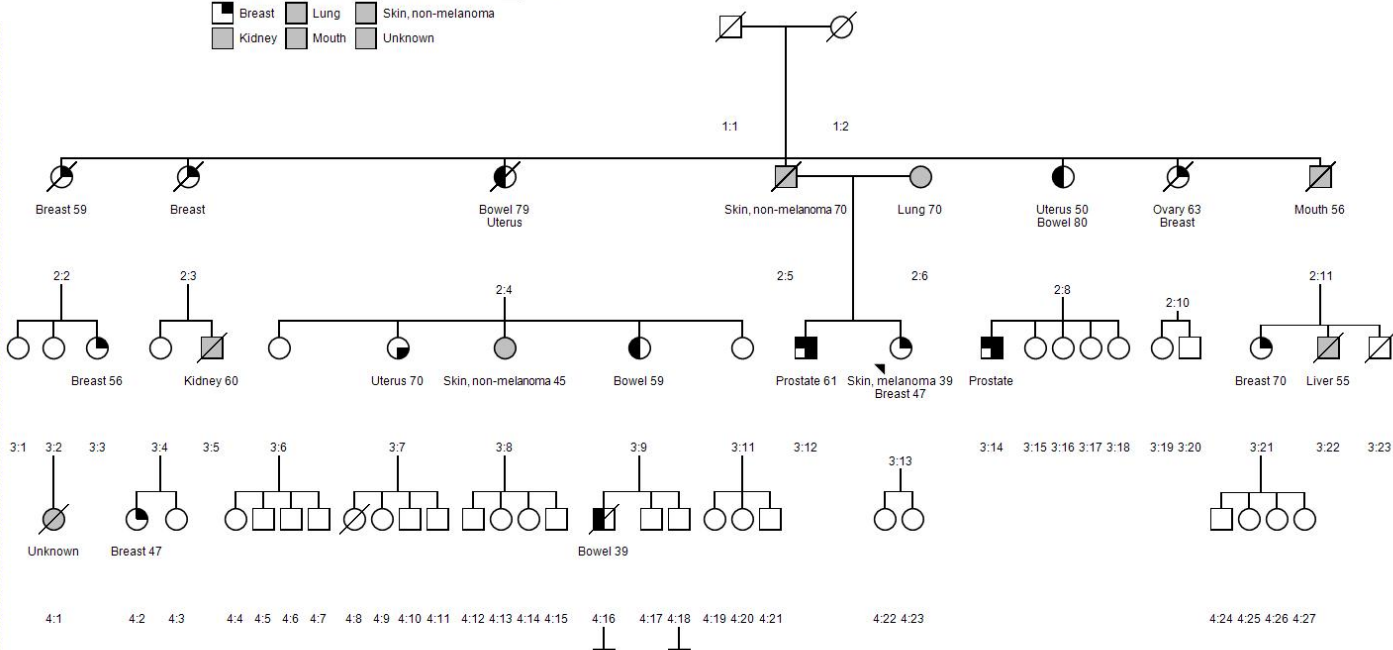
FCC-681-000  
p.Gln60Argfs\*7

 Breast  Gastric







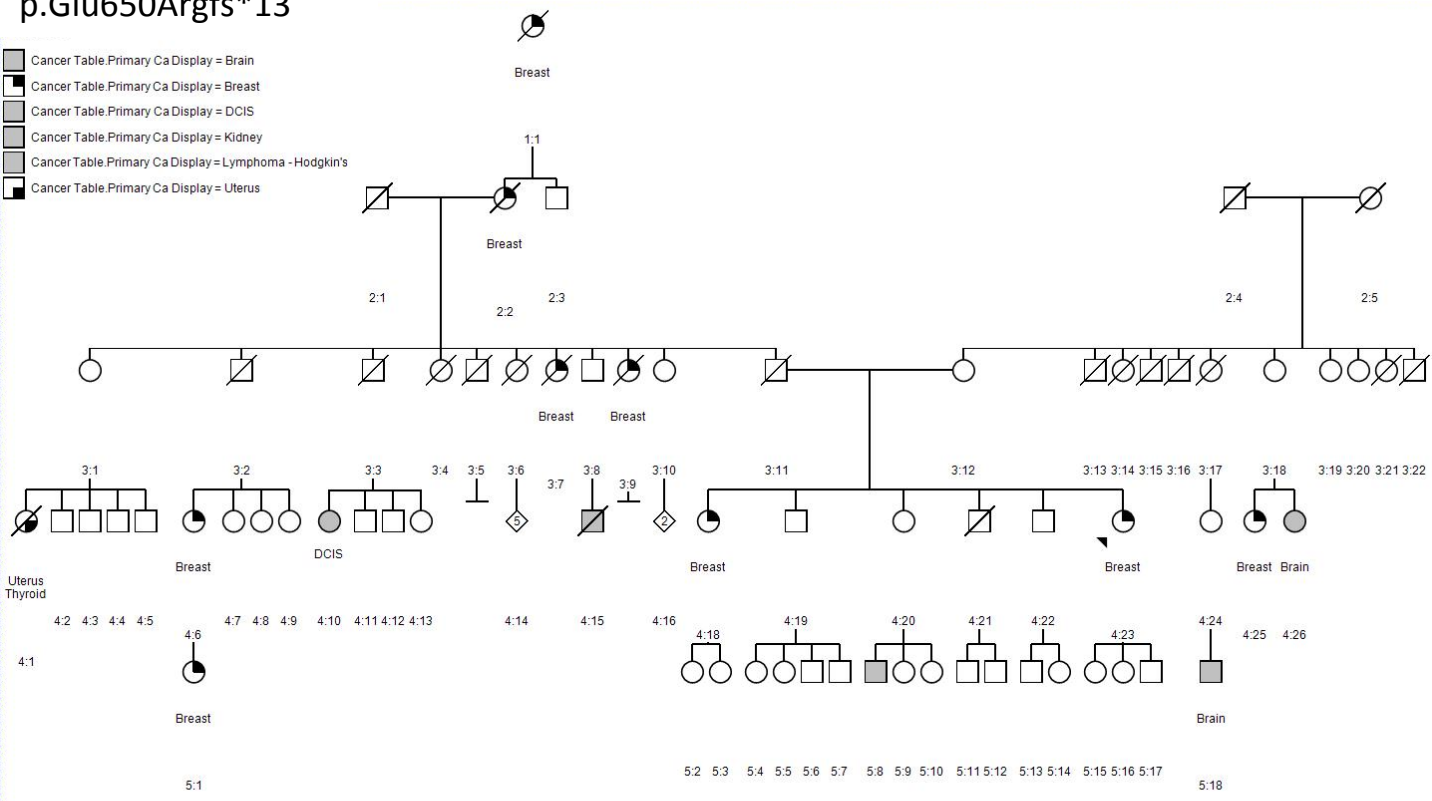
FCC-905-000  
p.Asn1039Ilefs\*2

 Bowel  Liver  Prostate  Uterus  
 Breast  Lung  Skin, non-melanoma  
 Kidney  Mouth  Unknown








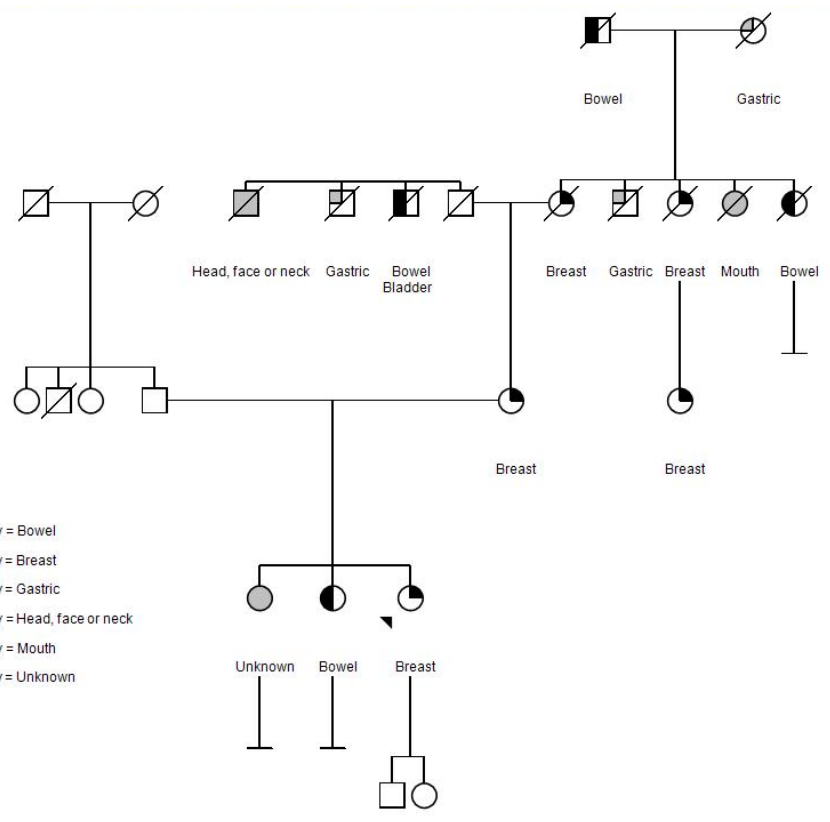
FCC-1322-000  
p.Glu650Argfs\*13

-  Cancer Table.Primary Ca Display = Brain
-  Cancer Table.Primary Ca Display = Breast
-  Cancer Table.Primary Ca Display = DCIS
-  Cancer Table.Primary Ca Display = Kidney
-  Cancer Table.Primary Ca Display = Lymphoma - Hodgkin's
-  Cancer Table.Primary Ca Display = Uterus

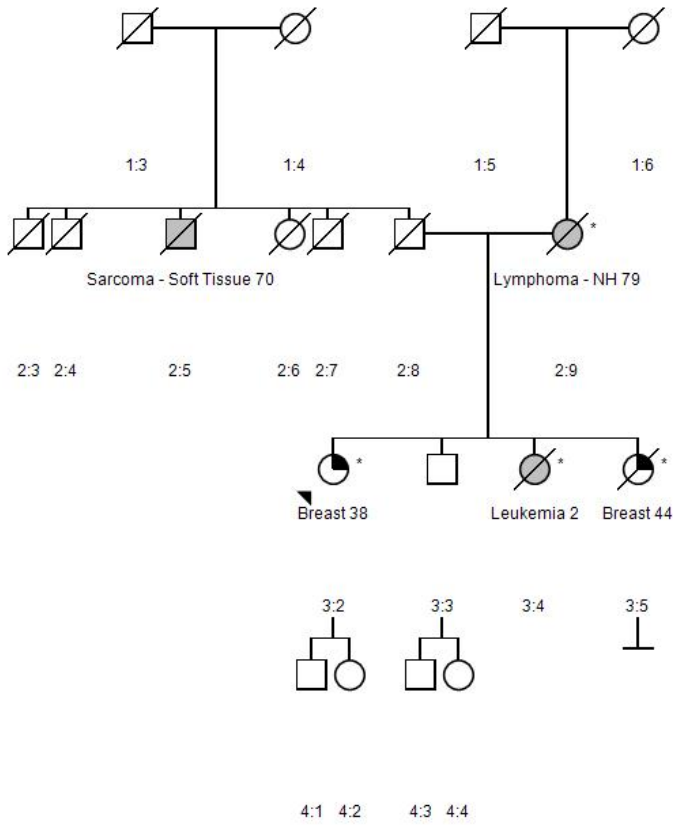
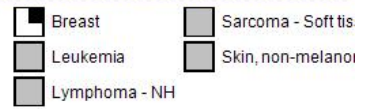


FCC-1423-000  
p.Trp1038\*

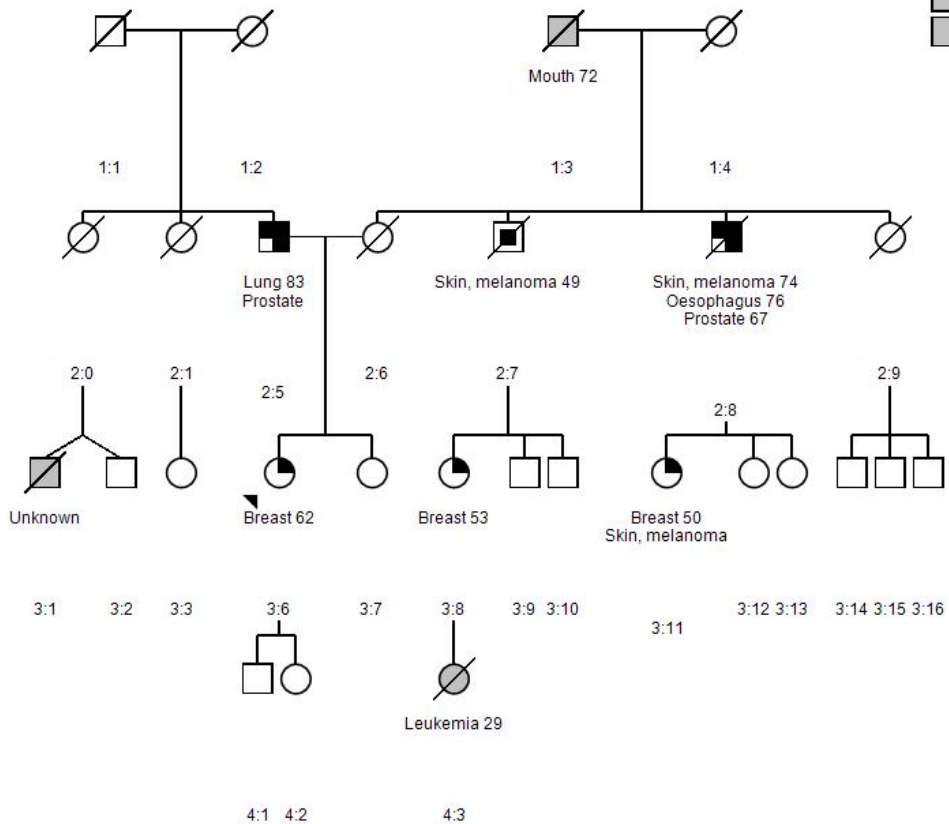
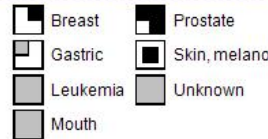
-  Cancer Table.Primary Ca Display = Bowel
-  Cancer Table.Primary Ca Display = Breast
-  Cancer Table.Primary Ca Display = Gastric
-  Cancer Table.Primary Ca Display = Head, face or neck
-  Cancer Table.Primary Ca Display = Mouth
-  Cancer Table.Primary Ca Display = Unknown



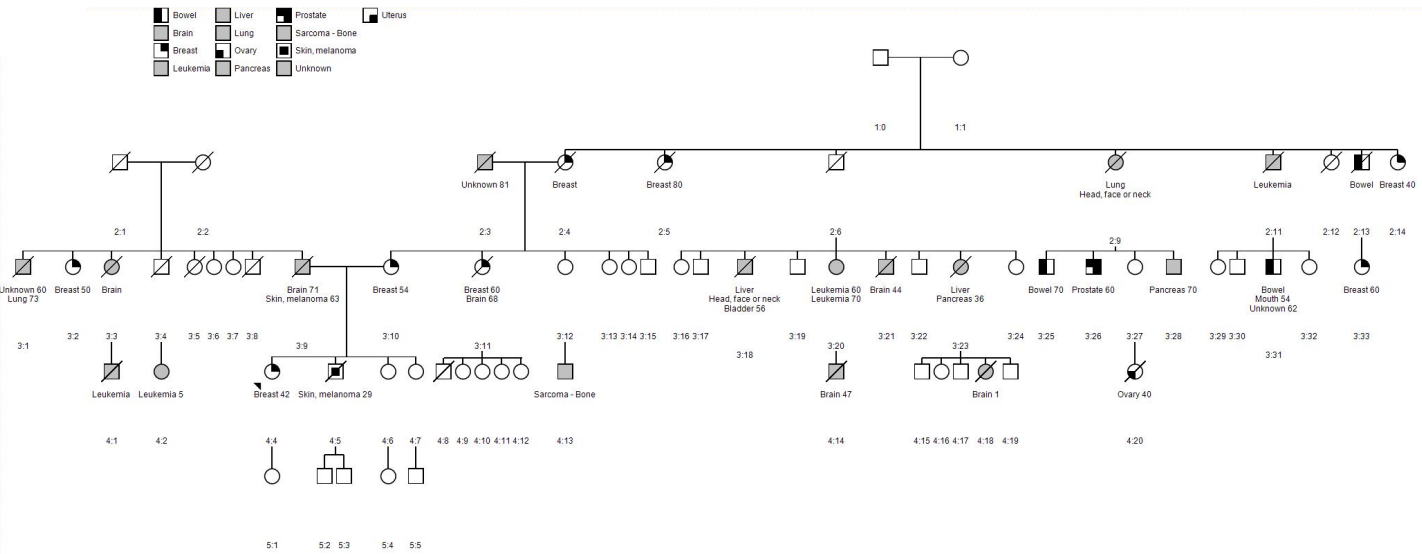
FCC-2104-000  
p.Trp1038\*



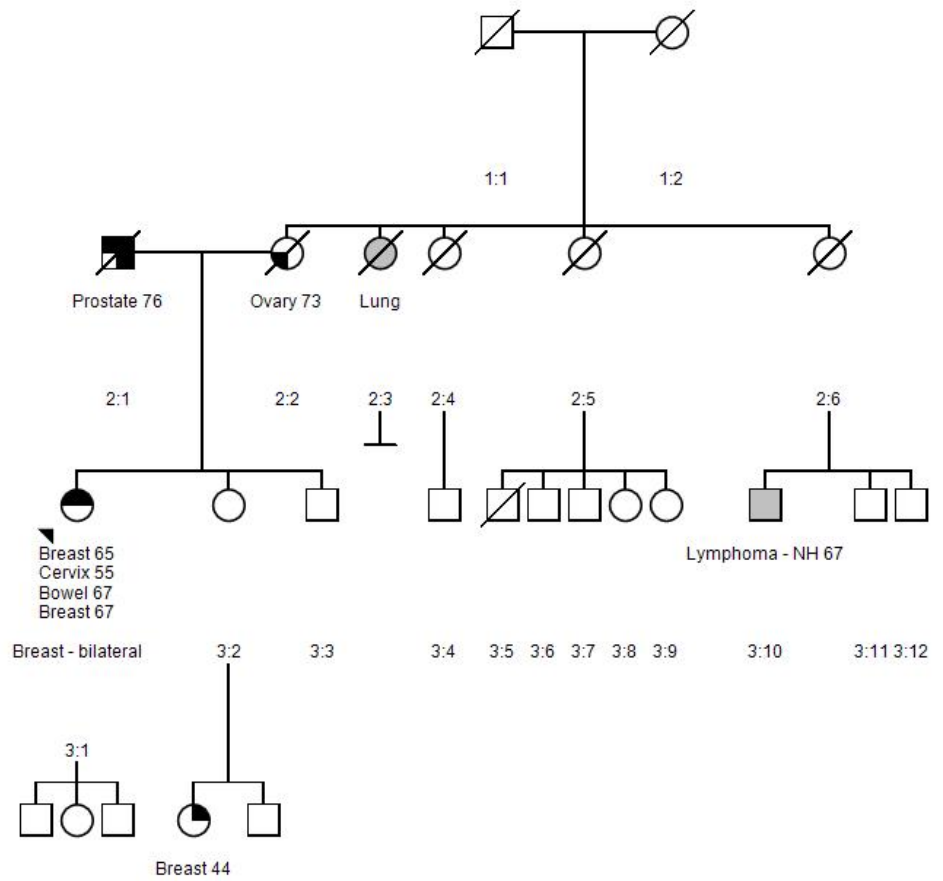
FCC-2121-000  
p.Gly796\*



FCC-2431-000  
p.Arg175Thrfs\*9



FCC-2677-000  
p.Trp1038\*

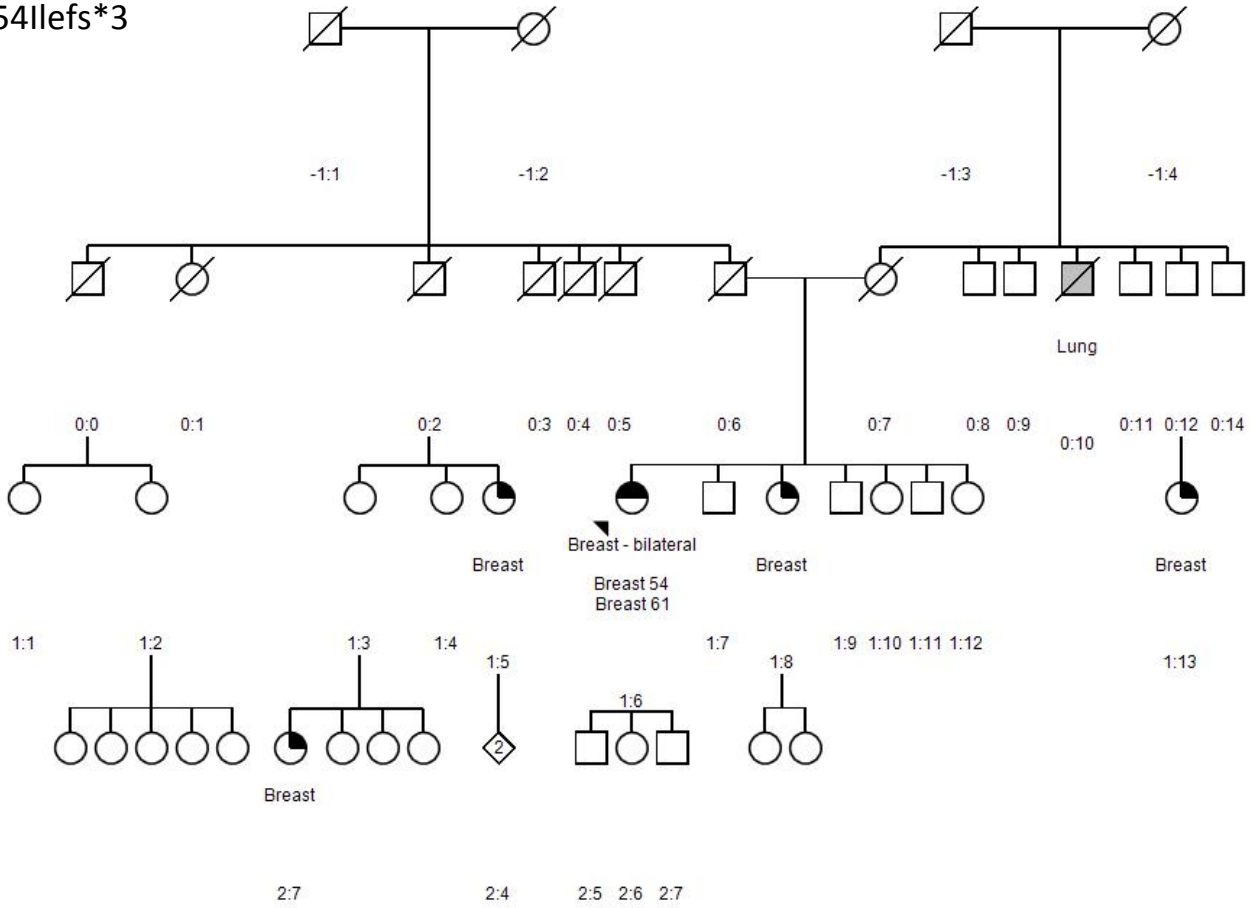


- Cancer Table.Primary Ca Display = Breast
- Cancer Table.Primary Ca Display = Breast - bilateral
- Cancer Table.Primary Ca Display = Lung
- Cancer Table.Primary Ca Display = Lymphoma - NH
- Cancer Table.Primary Ca Display = Ovary
- Cancer Table.Primary Ca Display = Prostate

Cancer Table.Primary Ca Display = Breast  
 Cancer Table.Primary Ca Display = Breast - bilateral

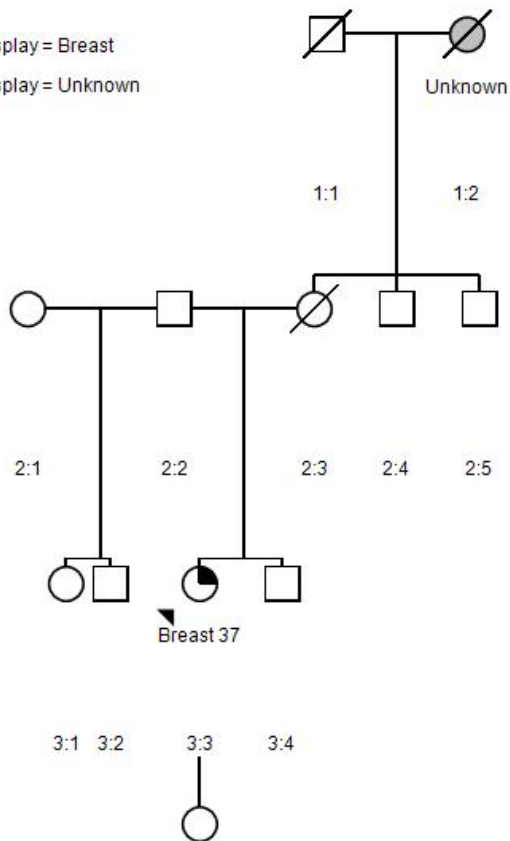
Cancer Table.Primary Ca Display = Lung

FCC-3397-000  
p.Ser254Ilefs\*3



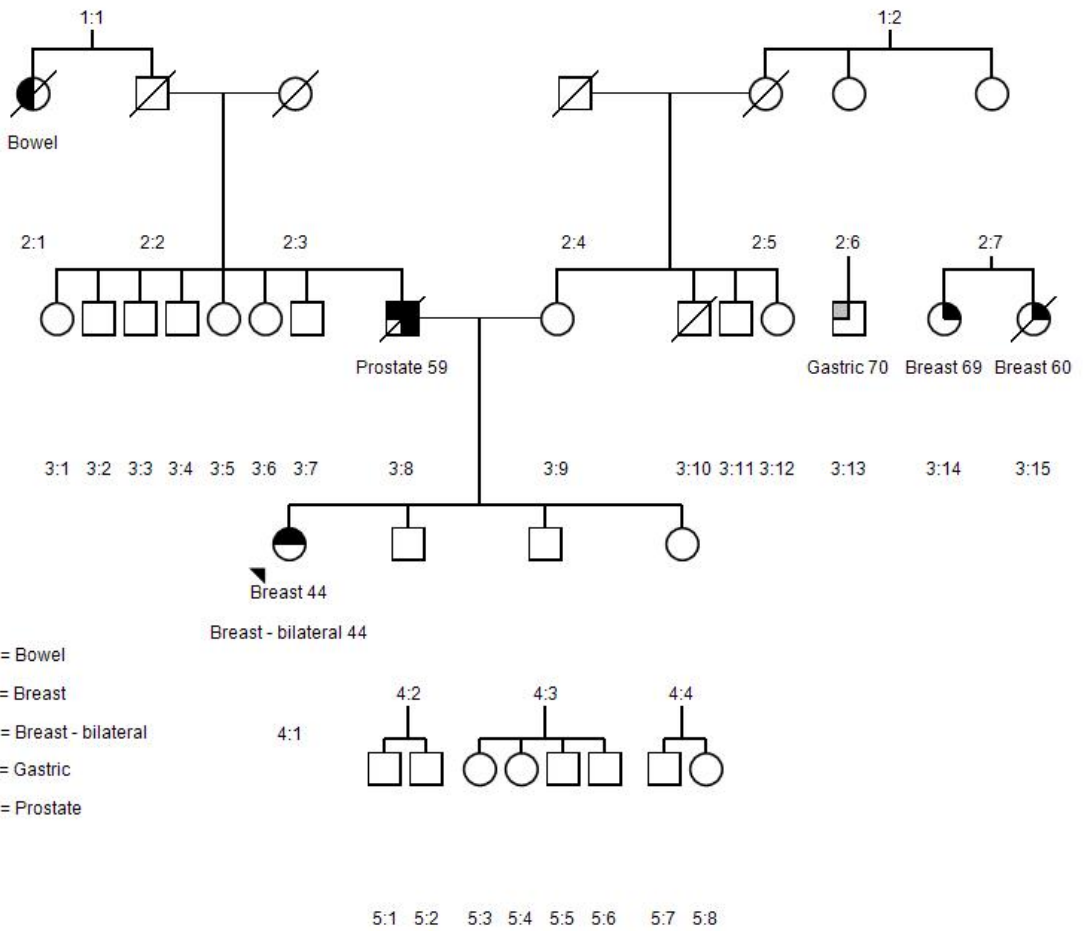
FCC-3527-000  
p.Trp1038\*





Cancer Table.Primary Ca Display = Breast  
 Cancer Table.Primary Ca Display = Unknown



  
Gastric 70

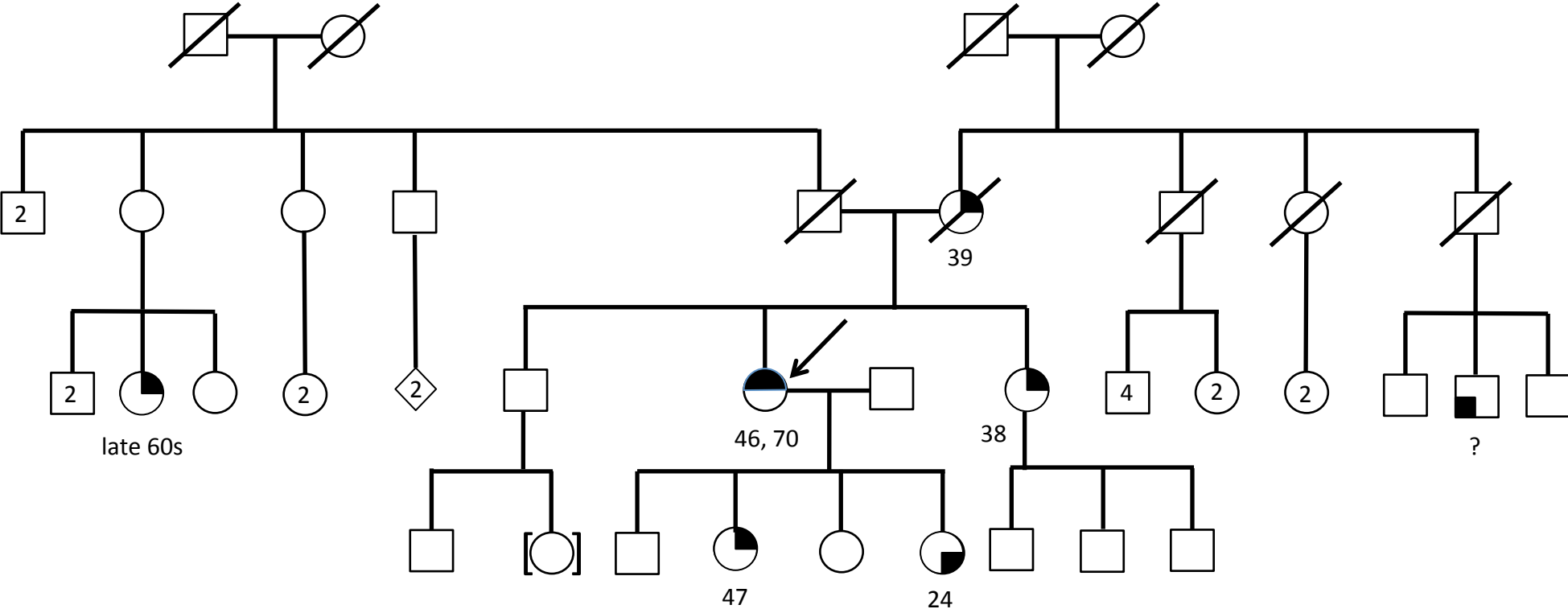
  
Breast 68



-  Cancer Table.Primary Ca Display = Bowel
-  Cancer Table.Primary Ca Display = Breast
-  Cancer Table.Primary Ca Display = Breast - bilateral
-  Cancer Table.Primary Ca Display = Gastric
-  Cancer Table.Primary Ca Display = Prostate

HAPS-081242 p.Ala995Cysfs\*16

☐ Breast    ☐ Bilateral breast    ☐ Cervical    ☐ Unknown





HAPS-060382 p.Gln66\*



Other



Breast



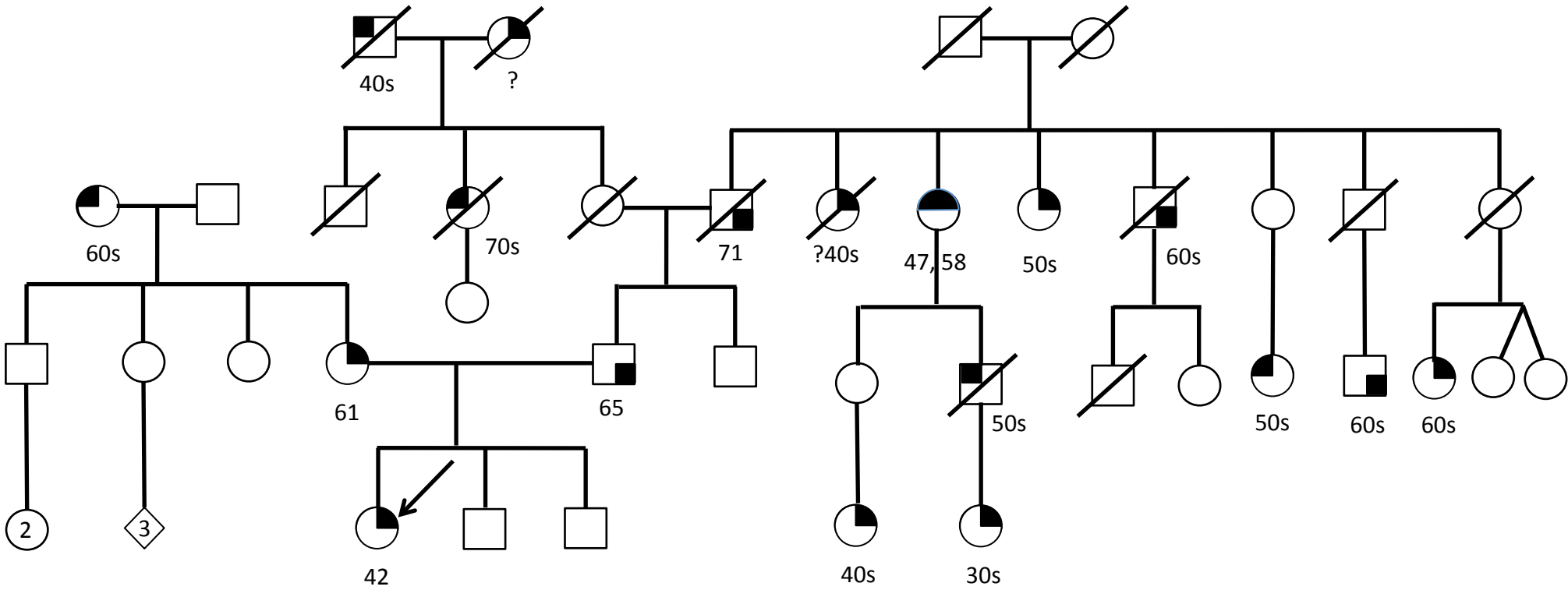
Bilateral breast



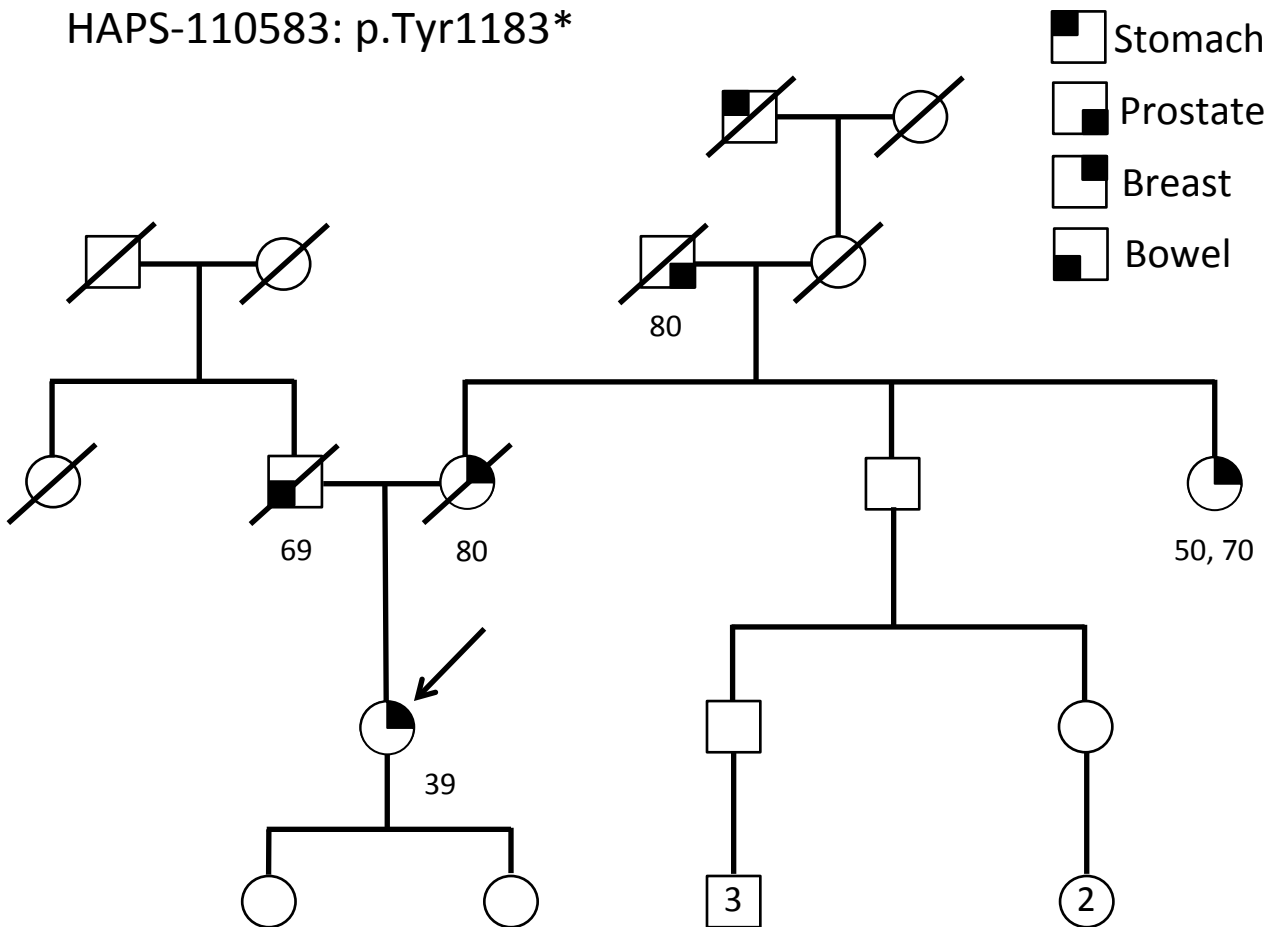
Prostate



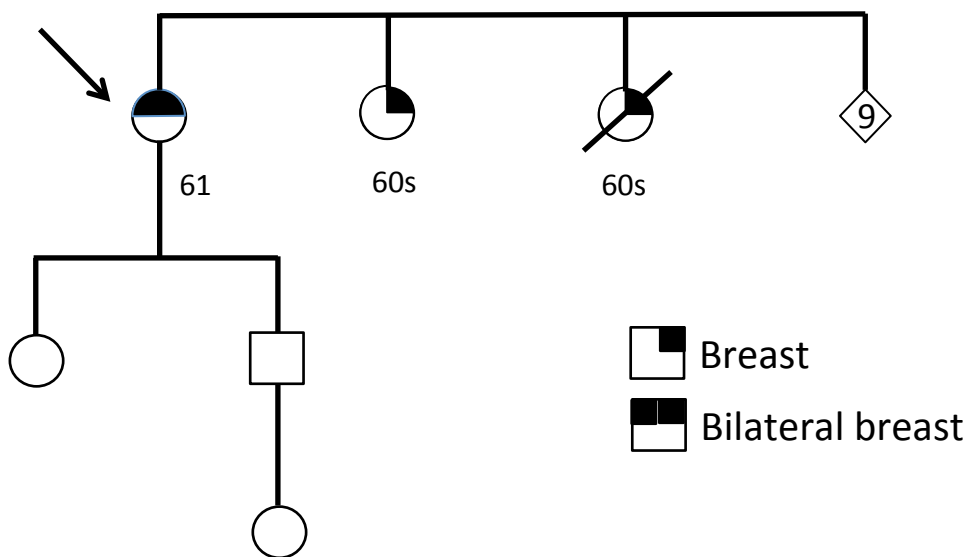
Bowel



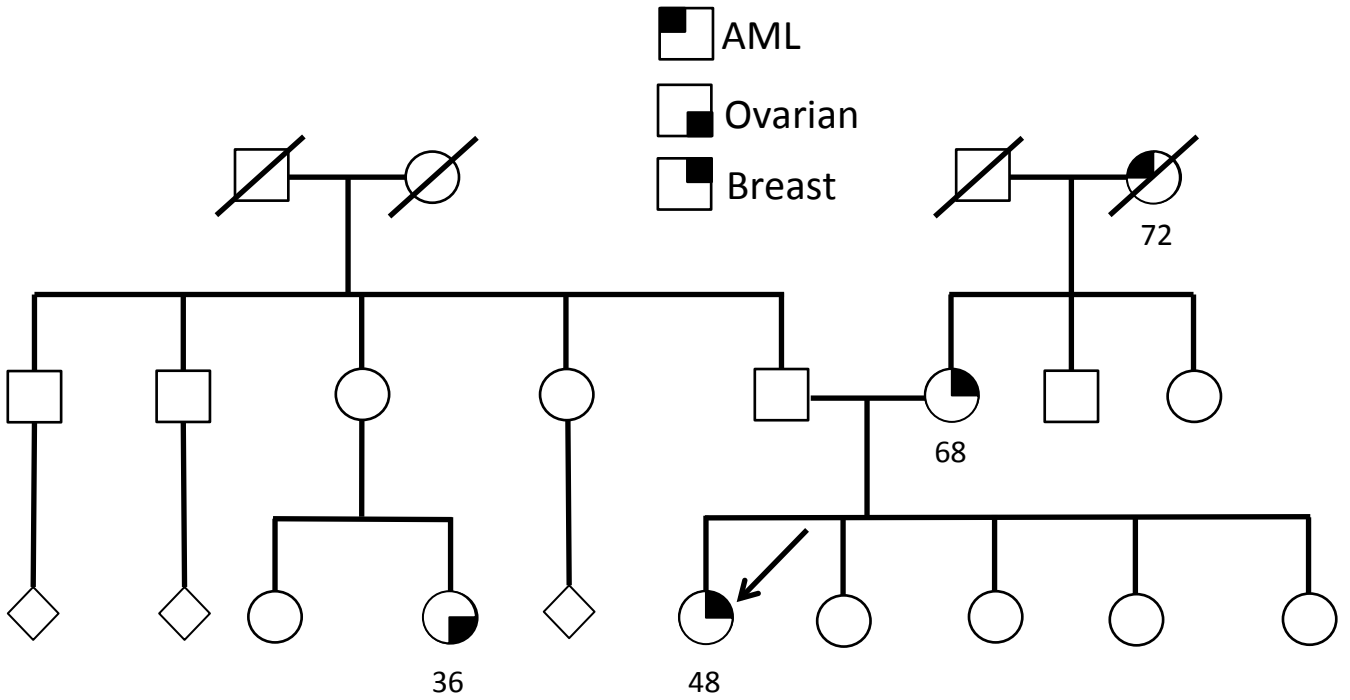
HAPS-110583: p.Tyr1183\*



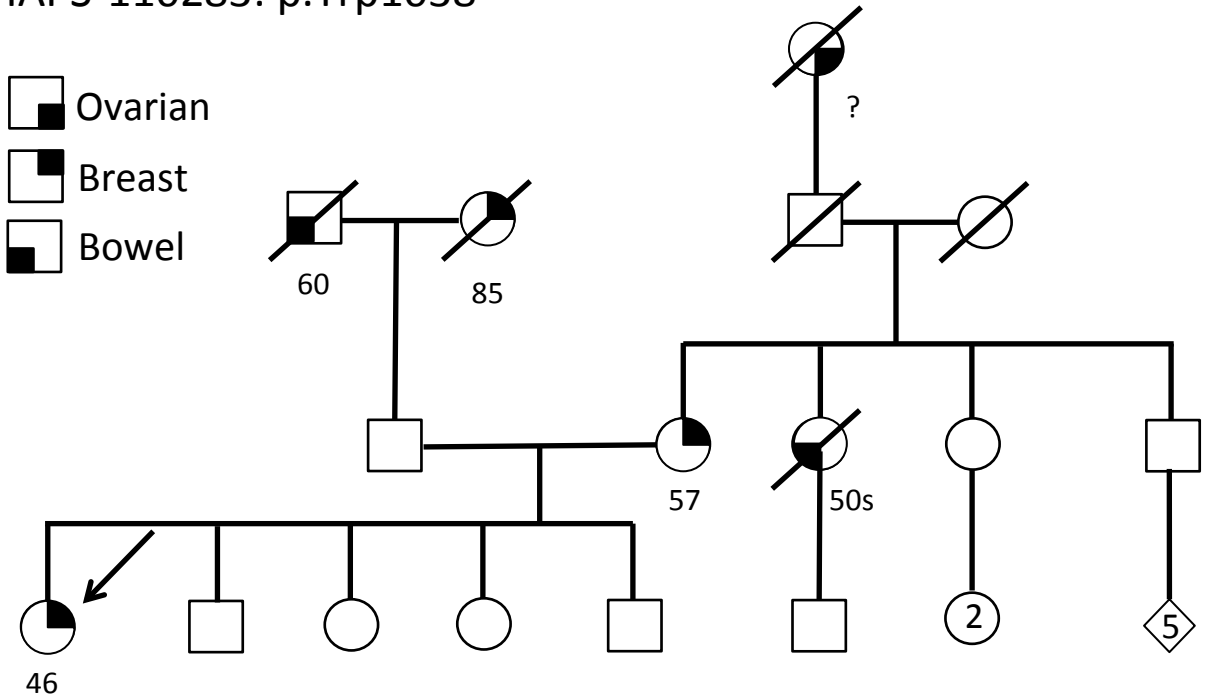
HAPS-090978: p.Thr193Asnfs\*2



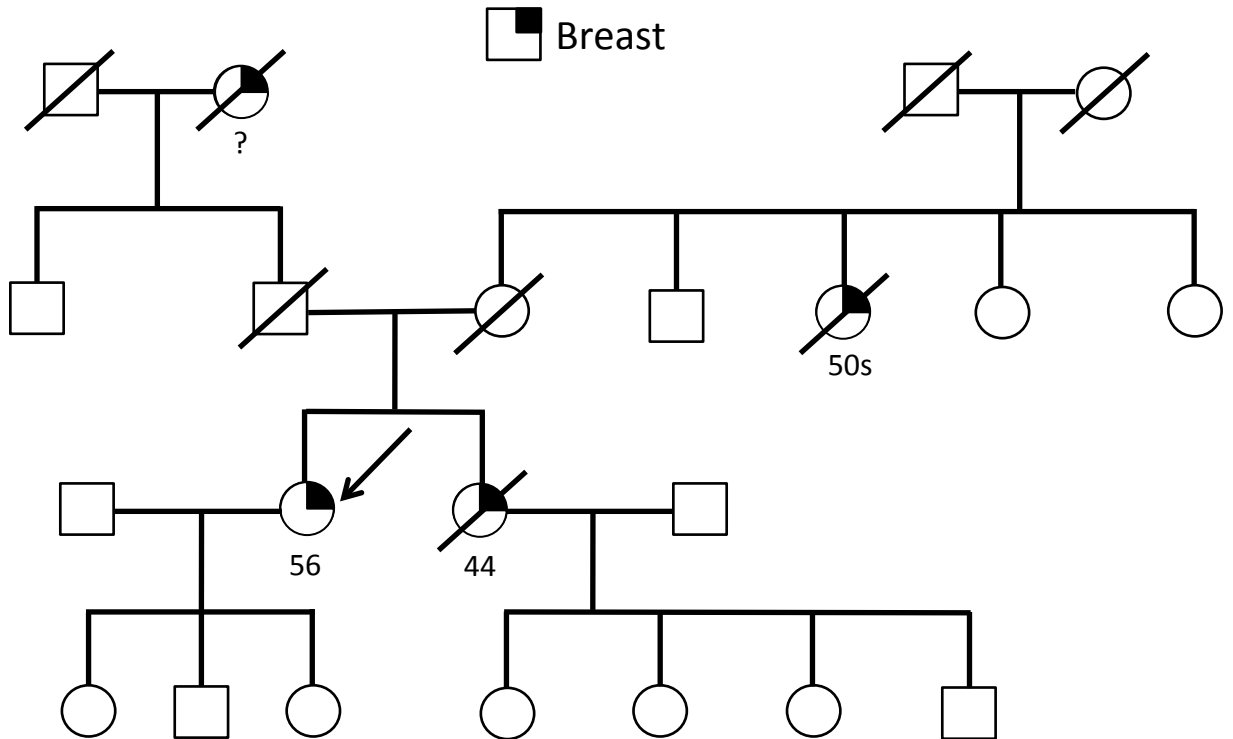
HAPS-100240: p. His1170Phefs\*19



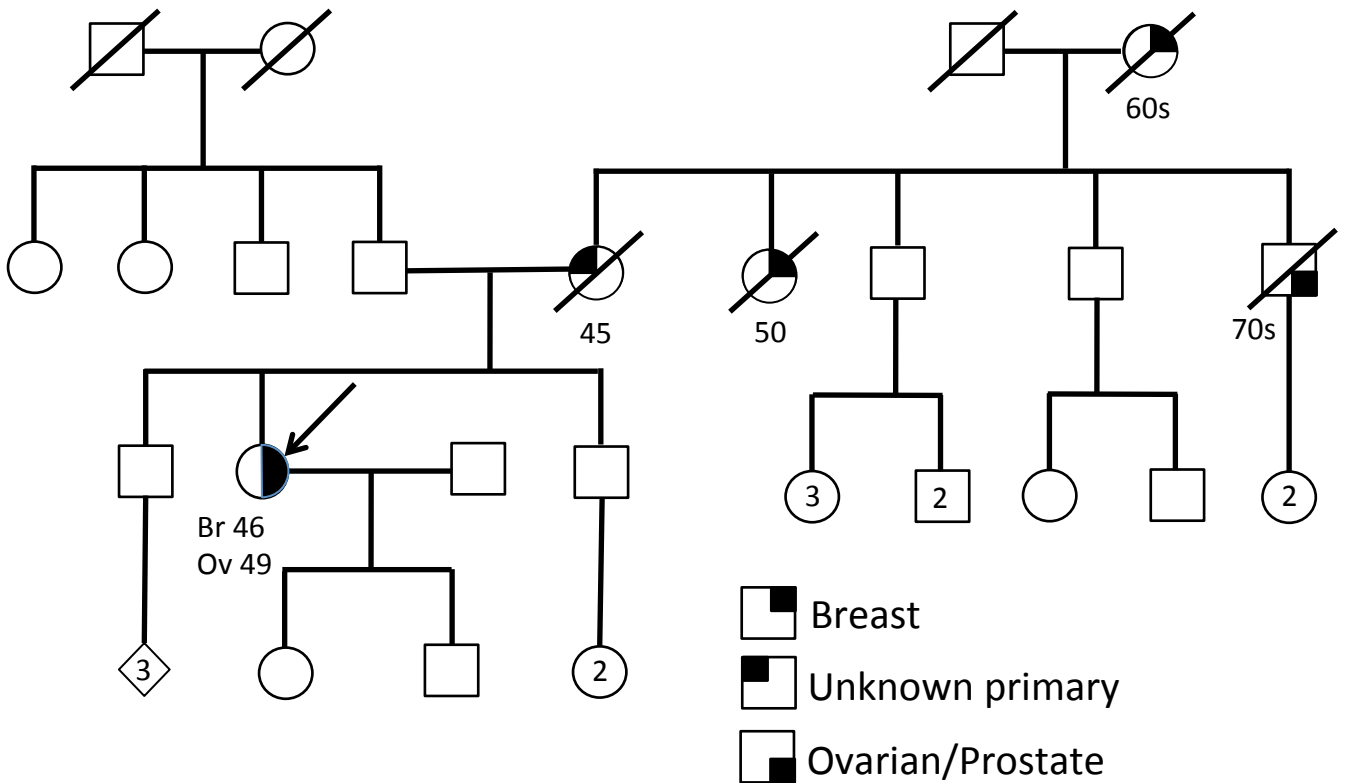
HAPS-110283: p.Trp1038\*



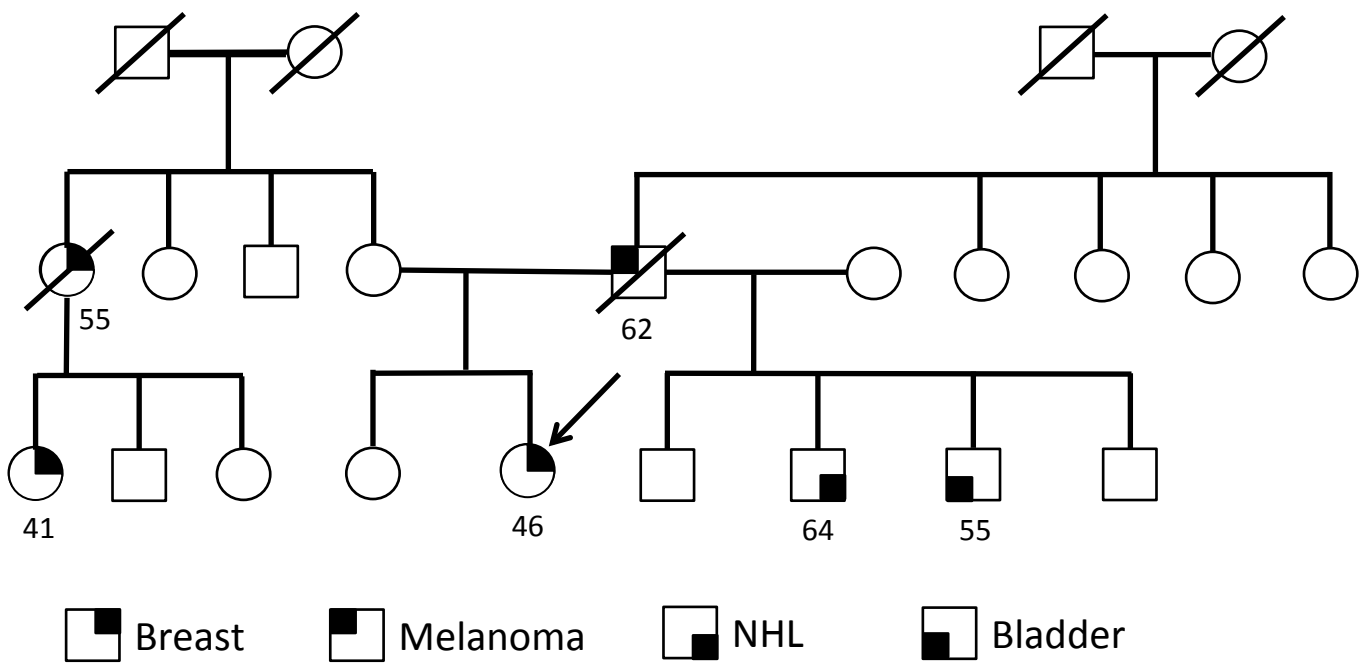
HAPS-121549: p.Trp1038\*



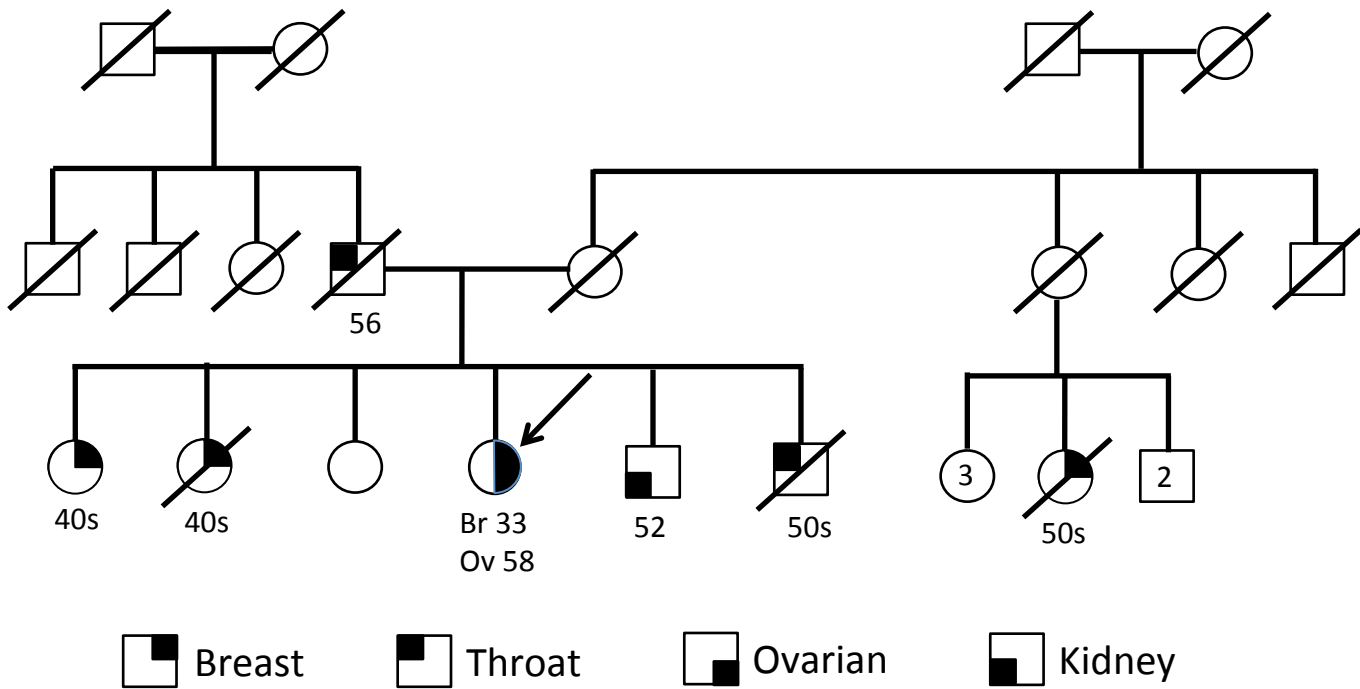
HAPS-114269: p.Pro656Glnfs\*11



HAPS-120953 p.Gln797Hisfs\*54



HAPS-120272 p.Ser254Ilefs\*3



HAPS-090809 p.Gly232Argfs\*3

