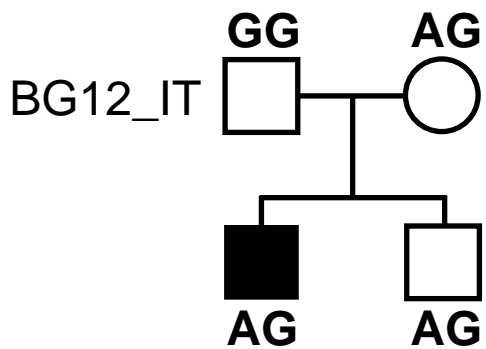
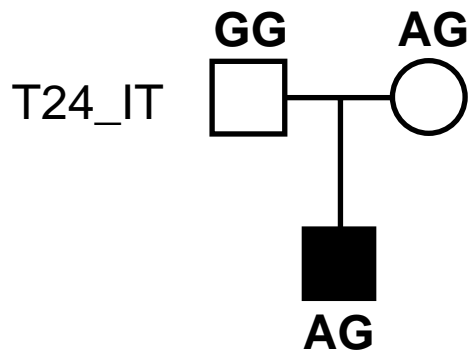
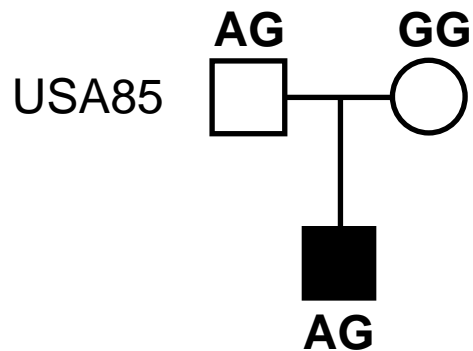
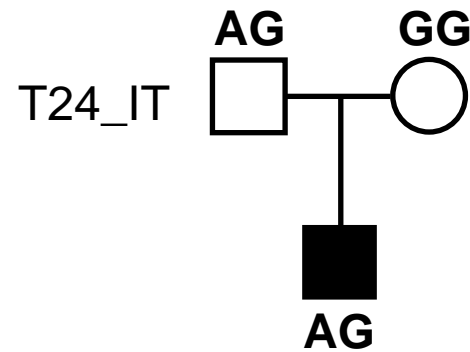
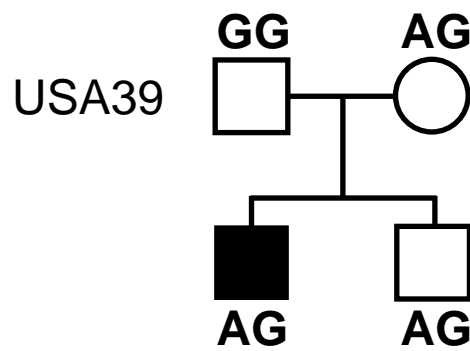


IVS1+63G>A



rs35115415  
[c.702G>A (V234V)]



c.872\_873delinsAA  
(S291N)

