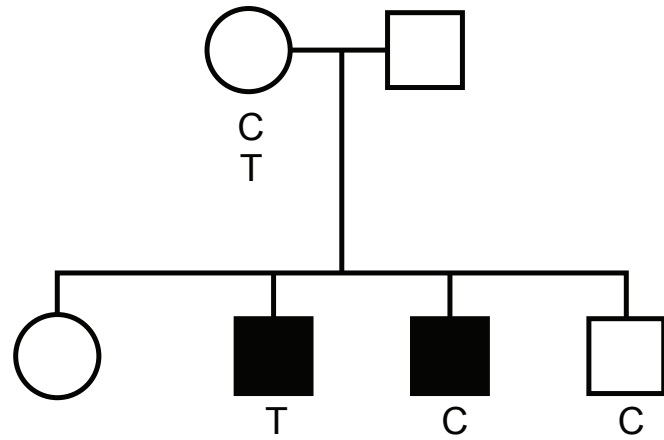
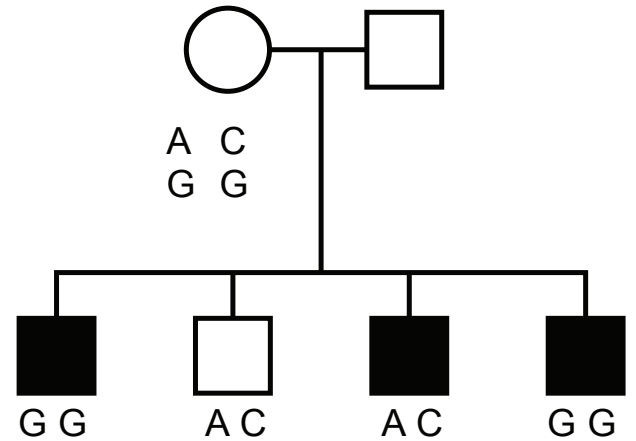


### 3' UTR NLGN3 Variants

chrX:70306922, 3'UTR SNV

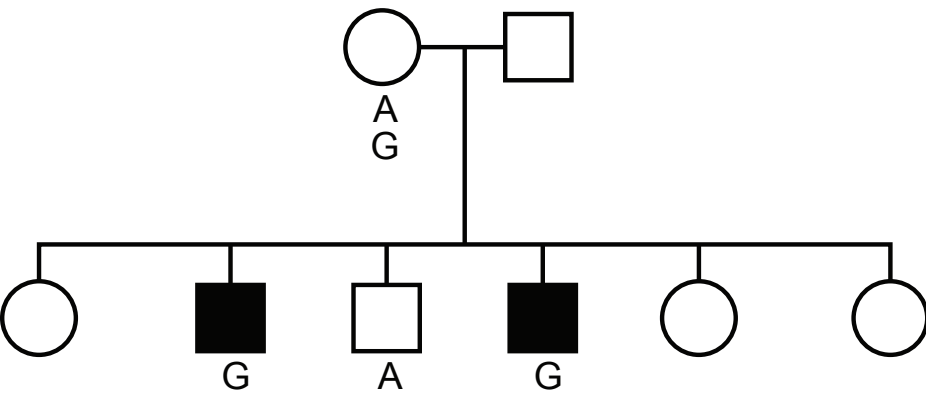


chrX:70306764, 3'UTR SNV  
chrX:70306767, 3'UTR SNV



### 3' UTR NLGN4X Variants

chrX:5818136, 3'UTR SNV



chrX:5820149-5820150, 3'UTR deletion

