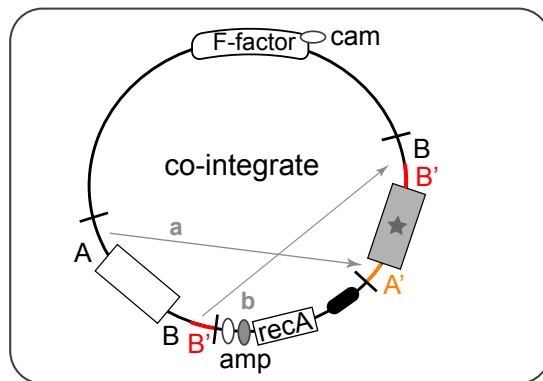


arabinose
30°C
cam/amp
selection

recombination

3x
42°C

loss of
non-
recombined
tv

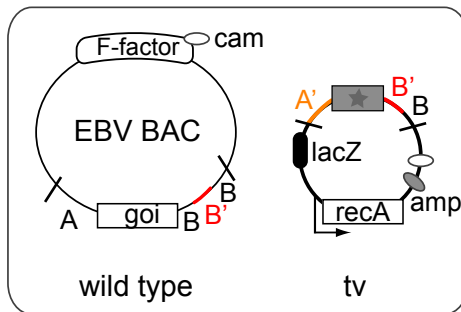
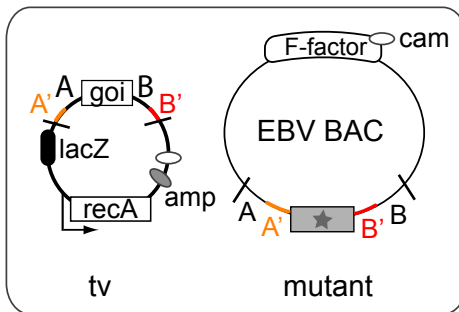


arabinose
30°C

co-integrate
resolution

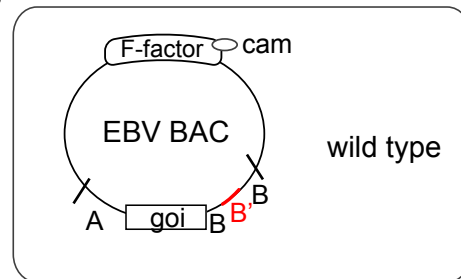
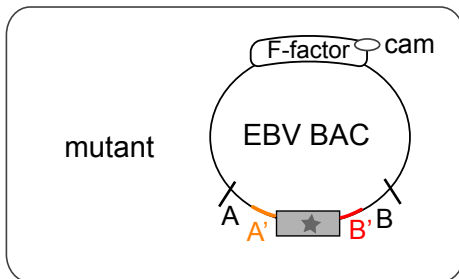
a

b



X-gal, cam
42°C

loss of tv



select for X-gal-negative colonies and identify mutant clones by e.g. restriction enzyme analysis