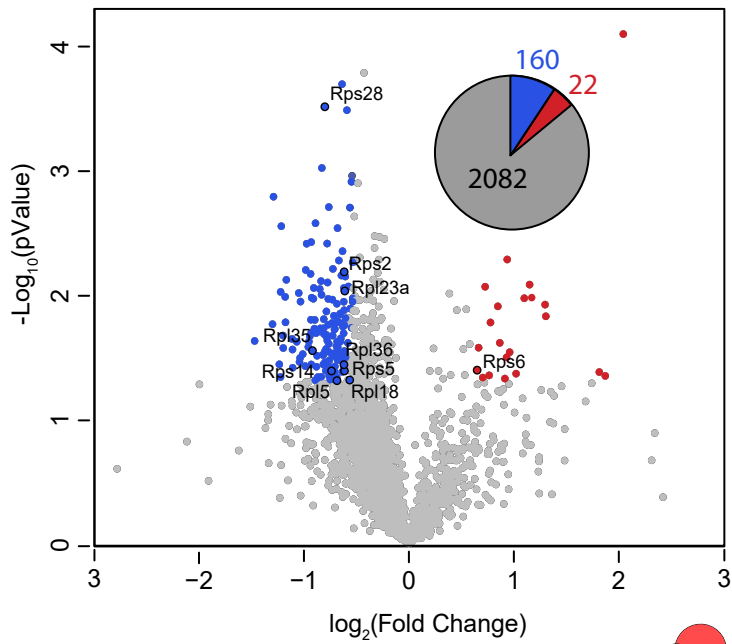
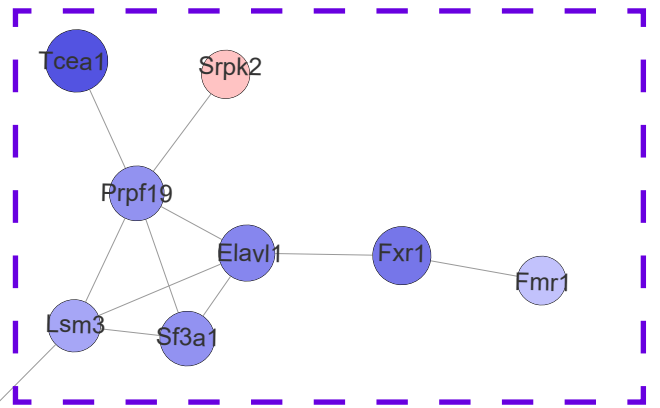


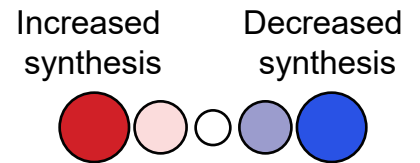
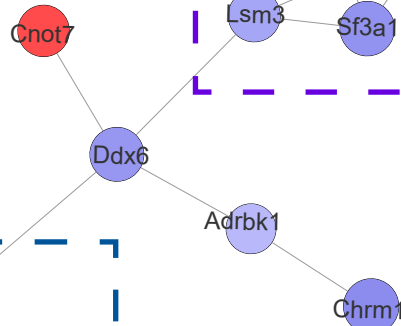
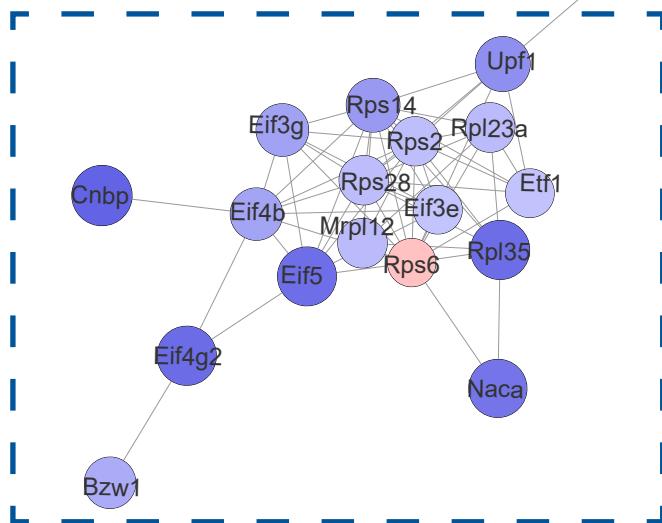
# Supplementary Figure 1



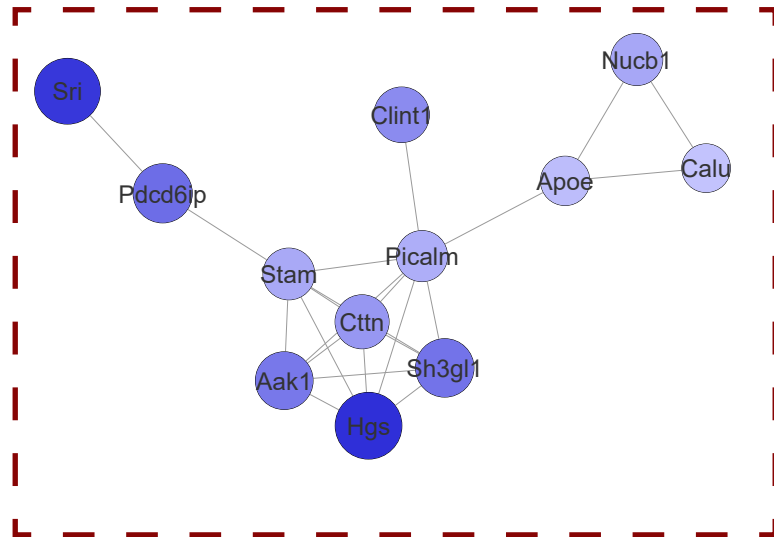
## mRNA splicing



## Cap-dependent translation Initiation



## Clathrin mediated endocytosis



## Golgi-to-ER retrograde transport

